

PIENAAR ENERGY (PTY) LTD

Wiring from PV combiner box to inverter



Overview

After all strings are connected, route the main DC output cable from the combiner box to the inverter. Make sure polarity is correct and terminals are tightened to the recommended torque. The combiner box is responsible for combining multiple strings of solar panels into a single circuit, which then connects to the inverter. A PV combiner box or DC combiner box acts as a central hub, combining the direct current (DC) from multiple strings into a single, organized output safely fed to your inverter.

A solar. Wiring a Pass-Through Box

If you're only passing through one or two strings from your solar array, here's what you do: Mount the pass-through box securely: Your box should be rated for outdoor conditions—NEMA 3 or NEMA 4 if it's outside. This allows for the easy connection of multiple solar panels to a single inverter, which converts the DC power from the solar panels into AC power that can be used by appliances and.

Wiring from PV combiner box to inverter



Step-by-Step Guide: Wiring Your PV Combiner Box

By implementing these best practices, you can ensure a reliable and safe PV combiner box wiring installation, maximizing the performance and longevity of your solar power system.

[Get Price](#)

Solar Combiner Box Installation and Wiring Diagram

Learn how to safely install and wire a solar combiner box for DC PV systems. Step-by-step guide covers wiring, grounding, surge protection (SPD), and best practices for solar panel arrays.



[Get Price](#)



SolarEdge Combiner Box Installation and Connection

Before installing and connecting the combiner box to the inverter and other equipment, read carefully all handling and safety instructions in the installation guides that come with the inverter and the equipment.

[Get Price](#)

The Ultimate Guide to Solar Combiner Boxes: From Basics to ...

Explore the comprehensive guide to PV Solar Combiner Boxes: Learn about types, components, selection criteria, installation best practices, maintenance, and advanced technologies.

[Get Price](#)



How To Wire A Solar Combiner Box Or Pass-Through Box?

Properly connecting these components allows the power from your solar panels to be transferred to where it is needed (the inverter or charge controller). In this post, we will detail everything you need

...

[Get Price](#)

Why Your DIY Solar System Needs a 4 String PV Combiner Box (And ...

Connect your solar panel strings to a single positive and negative output cable using a 4 string PV combiner box--the essential junction point that safely consolidates power from four ...

[Get Price](#)



How to Connect a PV Combiner Box? , Power Home

This blog begins with the structure of a PV combiner box, progressively explaining the wiring methods for PV arrays, the connection sequence of DC protection devices, and grounding ...

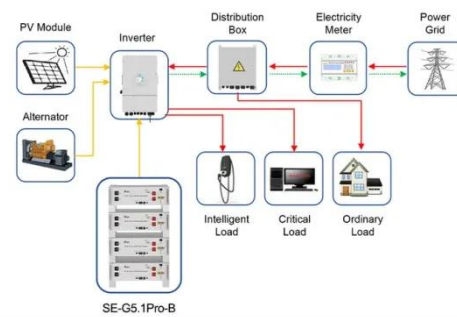
[Get Price](#)



How to Install a Solar Combiner Box - Step by Step

Install a solar combiner box by choosing the right location, mounting it securely, wiring solar strings and outputs correctly, ensuring safety, and testing before powering up.

[Get Price](#)



Application scenarios of energy storage battery products

7-Point Guide to Wiring a Combiner Box Like a Pro

It shows how to connect the solar panels to the combiner box, and from the combiner box to the inverter. A well-designed combiner box wiring diagram will ensure that the system is safe, ...

[Get Price](#)



Solar to Inverter: 3-Step Wiring & Connection Guide

We'll walk through the entire process, covering key components like the solar combiner box (find our deep-dive guide

here) to ensure a flawless solar to inverter connection.

[Get Price](#)



Contact Us

For catalog requests, pricing, or partnerships, please visit:
<https://www.pienaarshof.co.za>

