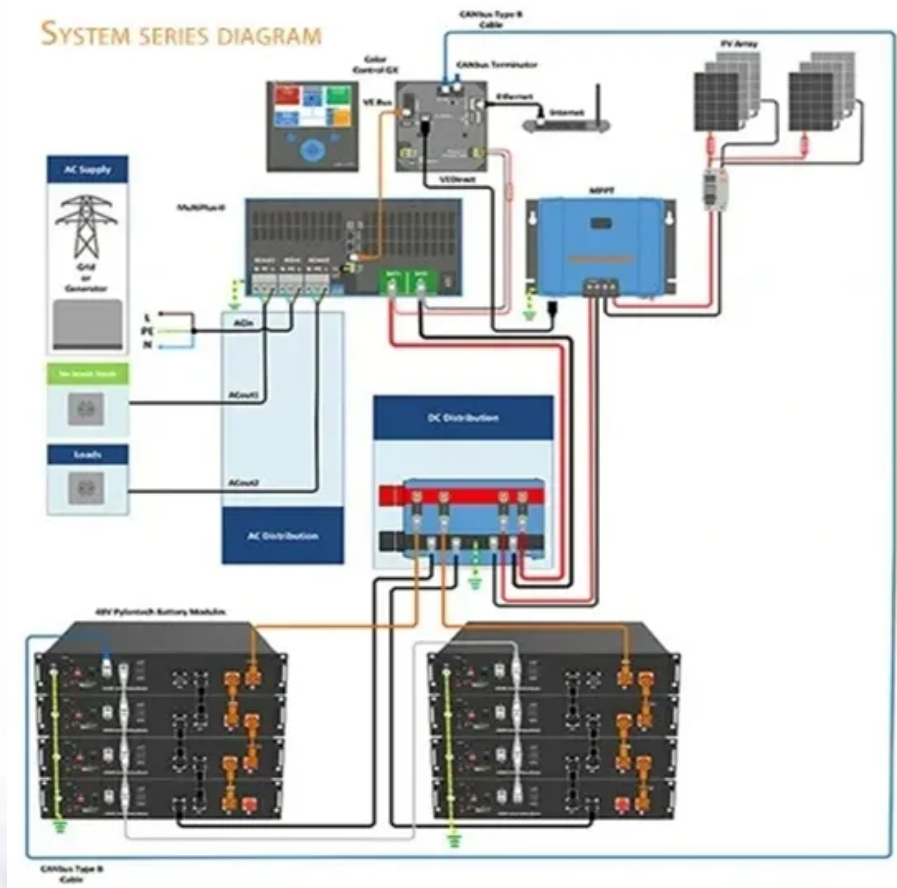


PIENAAR ENERGY (PTY) LTD

Will static electricity be generated near photovoltaic panels



Overview

While solar photovoltaic panels can generate static electricity under certain conditions, modern designs and proper installation practices minimize risks. Static. The electrostatic phenomenon is the result of an imbalance of electrical charges between two materials. The word "static" is used to differentiate it from current electricity, where an electric charge flows through. Solar technologies convert sunlight into electrical energy either through photovoltaic (PV) panels or through mirrors that concentrate solar radiation. Below, you can find resources and information on the. Triboelectric charging occurs when two surfaces make contact or slide past one another—one surface becomes positively charged, while the other becomes negatively charged. If the electron-receiving material is either isolated or not an.

Will static electricity be generated near photovoltaic panels



What is static electricity? How it is generated and its

Discover what static electricity is, how it is produced in everyday situations, and what its drawbacks are. Learn with us effective methods to reduce it and prevent its effects

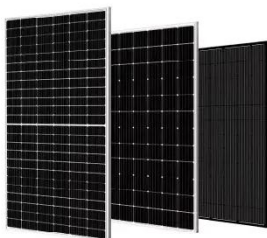
[Get Price](#)

The impact of electric fields on the output of smart photovoltaic

This study examines the impact of electrostatic field on the performance of silicon PV panels. Results show a 13 % decrease in power output due to the electric field, but a 1.5 % increase ...



[Get Price](#)



Static electricity

Static electricity is an imbalance of electric charges within or on the surface of a material. The charge remains until it can move away as an electric current or by electrical discharge.

[Get Price](#)

The enduring puzzle of static electricity

But even though static electricity is an everyday phenomenon and has been studied for millennia, researchers still lack a fundamental understanding of why and how charge transfers ...

[Get Price](#)



Will static electricity be generated on photovoltaic panels

This type of static caravan will certainly generate enough electricity to offset the cost of traditional electrical consumption for your holidays and since the electricity is fed into the National Grid

[Get Price](#)

Will static electricity be generated near photovoltaic panels

Photovoltaic solar energy has been explored as an energy solution to the decline of energy production, as well as environmental concerns. However, generate electricity through the sun still considered ...

[Get Price](#)



Static Electricity Helps This Solar Panel Clean Itself and

Boost Power



"By using this technique, we can recover up to 95 percent of a solar panel's power output," Sreedath Panat, an MIT doctoral student and the study's lead author, told The Daily Beast.

[Get Price](#)

How Does Solar Work?

This energy can be used to generate electricity or be stored in batteries or thermal storage. Below, you can find resources and information on the basics of solar radiation, photovoltaic and concentrating ...



[Get Price](#)



Static electricity

Overview Causes Removal and prevention Static discharge Energies involved

Static electricity is an imbalance of electric charges within or on the surface of a material. The charge remains until it can move away as an electric current or by electrical discharge. The word "static" is used to differentiate it from current electricity, where an electric charge flows through an electrical conductor. A static electric charge can be created whenever two surfaces contact and/or slide a...

[Get Price](#)

Do Solar Photovoltaic Panels Generate Static Electricity? Exploring ...

While solar photovoltaic panels can generate static electricity under certain conditions, modern designs and proper installation practices minimize risks. By understanding environmental factors and ...

[Get Price](#)

INTEGRATED DESIGN
EASY TO TRANSPORT AND INSTALL,
FLEXIBLE DEPLOYMENT



Static electricity , Causes, Examples, Facts, & Description

Since this charge is not moving, it is referred to as static electricity. When conditions allow the built-up charge to flow, the surplus of static electricity is discharged, and it becomes current ...

[Get Price](#)

Contact Us

For catalog requests, pricing, or partnerships, please visit:
<https://www.pienaarshof.co.za>

