

PIENAAR ENERGY (PTY) LTD

Which solar energy storage power supply is best in Egypt



Overview

We will explore the different types available, from traditional lead-acid to advanced Lithium batteries solar options. We'll also provide a detailed comparison of their performance, costs, and lifespan, helping you make an informed decision for your specific needs. At Neo Energy, we specialize in providing top-tier energy storage solutions tailored to the Egyptian market. AMEA Power, a. In 2023, Egypt's expenditure on imported liquefied natural gas (LNG) exceeded expectations by 1 billion USD, and analysts predict this figure will increase by tens of billions of USD by 2025. Especially during the hot summer months, fuel shortages have caused frequent rolling blackouts, severely. With solar capacity soaring to 3.5 GW in 2023 and wind energy projects expanding across the Red Sea region, Egypt needs robust energy storage systems to: "Egypt aims to source 42% of its electricity from renewables by 2035 - energy storage isn't optional, it's essential. After the successful development of the 500MW Abydos Solar PV Project, AMEA Power has been.

Which solar energy storage power supply is best in Egypt



Latest Egyptian Energy Storage Power Price List: Trends, Applications

Discover the latest pricing trends for energy storage systems in Egypt and explore how evolving technologies are reshaping renewable energy adoption. This guide provides actionable data for ...

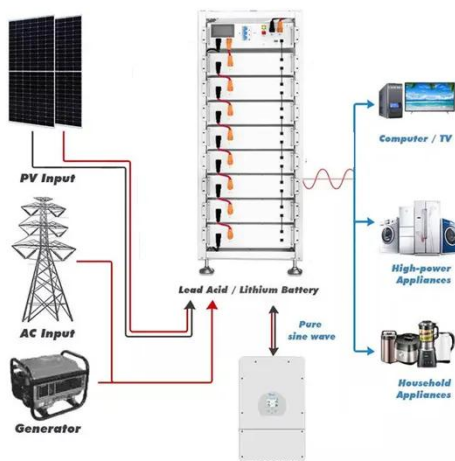
[Get Price](#)

AMEA Power to Develop Largest Solar PV Project in Africa and First ...

AMEA Power, one of the fastest-growing renewable energy companies, signs Power Purchase Agreements (PPAs) to develop largest solar PV in Africa and first utility-scale battery ...



[Get Price](#)



Best Solar Batteries in Egypt , Lithium vs. Lead-Acid Guide

At Neo Energy, we constantly monitor new technologies to ensure we offer the most effective and reliable solutions, but currently, LiFePO4 and lead-acid remain the top choices for ...

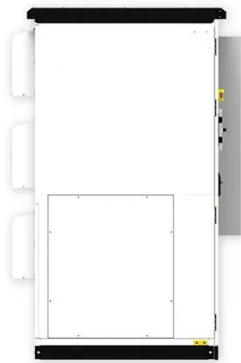
[Get Price](#)

Energy storage systems impact on Egypt's future energy mix with high

This study provides a long-term techno-economic analysis for the energy mix of Egypt until 2050. That is with considering various types of energy storage including pumped hydropower, electro ...



[Get Price](#)



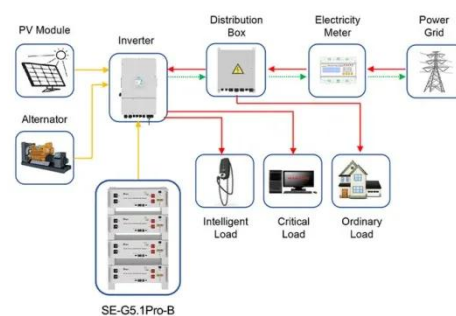
Egypt's Solar Power Market and Opportunities -- GSL ENERGY's

The fuel crisis in Egypt is driving the development of solar energy. GSL ENERGY is helping Egypt achieve its renewable energy transition and market growth with advanced lithium ...

[Get Price](#)

Top 34 Energy Storage Companies in Egypt (2026) , ensun

Egypt Power for Trading and Agencies specializes in the power generation sector, offering products such as diesel and gas generator sets and solar PV systems. Their commitment to quality and ...



Application scenarios of energy storage battery products

[Get Price](#)



Egypt -Electricity and Renewable Energy

The Ministry of Electricity and Renewable Energy has signed nine MOUs worth \$600 million for solar and wind projects in Egypt. According to the Wind and Solar Atlas, the East and ...

[Get Price](#)

Solar and batteries could help Egypt beat its blackouts , CNN

Egypt's first large-scale hybrid solar and battery plant has begun construction as the country looks to its abundant sunshine to help fix its energy crisis. Obelisk, located in Nagaa ...



[Get Price](#)



Egypt's Renewable Energy Buildout Continues as First ...

Egypt is among the Middle Eastern countries looking to accelerate the growth of renewable energy.

[Get Price](#)

Egypt Energy Storage Power Supply Manufacturers: Powering a ...

This article explores how energy storage power supply manufacturers are

addressing Egypt's growing demand for reliable electricity while supporting solar integration and grid stability.

[Get Price](#)



Contact Us

For catalog requests, pricing, or partnerships, please visit:
<https://www.pienaarshof.co.za>

