

PIENAAR ENERGY (PTY) LTD

What is the photovoltaic panel area used for



Overview

Solar panel area refers to the total surface area occupied by solar panels installed to capture sunlight for energy conversion. The heat from solar ponds enables the production of chemicals, food, textiles, warm greenhouses, swimming pools, and livestock buildings. These innovative devices capture sunlight and convert it into electricity, offering a clean and sustainable alternative to traditional energy sources. These electrons flow through a circuit and produce direct current. Understanding the solar panel area becomes increasingly important as the demand for cleaner energy rises. This section provides a backdrop for exploring the various factors that impact the effectiveness of solar panels. The size, shape, and slope of your.

What is the photovoltaic panel area used for



Solar energy , Definition, Uses, Examples, Advantages, & Facts

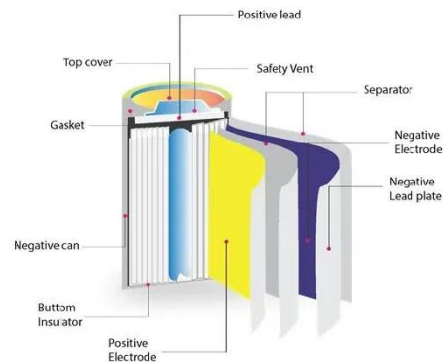
Solar radiation may also be converted directly into electricity by solar cells, or photovoltaic cells, or harnessed to cook food in specially designed solar ovens, which typically ...

[Get Price](#)

Homeowner's Guide to Solar , Department of Energy

All solar panels meet international inspection and testing standards, and a qualified installer will install them to meet local building, fire, and electrical codes.

[Get Price](#)



How to calculate solar energy installed area , NenPower

To calculate the installed area necessary for solar energy production, it is critical to first assess the energy demands of the household or facility. Power consumption can vary greatly ...

[Get Price](#)

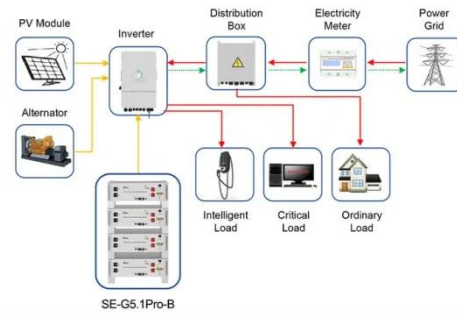
What Are PV Panels?



Understanding Their Function and Importance

PV panels, or photovoltaic panels, are essential devices that convert sunlight into electricity, playing a crucial role in sustainable energy production and reducing carbon footprints.

[Get Price](#)



Application scenarios of energy storage battery products



What Is Solar Energy Used For? The 9 Most Solar Panels Usages

Solar panels have emerged as a cornerstone of renewable energy, transforming the way we harness and utilize power. These innovative devices capture sunlight and convert it into electricity, offering a ...

[Get Price](#)

Photovoltaics and electricity

Solar photovoltaic cells are grouped in panels, and panels can be grouped into arrays of different sizes to power water pumps, power individual homes, or provide utility-scale electricity ...

[Get Price](#)



Exploring Solar Panel Area: Key Considerations and Impact

Solar panel area refers to the total



surface area occupied by solar panels installed to capture sunlight for energy conversion. This area is typically measured in square meters and is directly correlated with ...

[Get Price](#)

How much area is needed for solar panel installation

To help you decide if your property is suitable for solar, this guide outlines roof space requirements and breaks down how to calculate the area needed for your home solar panel installation.

[Get Price](#)



Photovoltaic Applications , Photovoltaic Research , NLR

PV can be the solution--for rural homes, villages in developing nations, lighthouses, offshore oil platforms, desalination plants, and remote health clinics. In urban or remote areas, PV ...

[Get Price](#)

Contact Us

For catalog requests, pricing, or partnerships, please visit:
<https://www.pienaarshof.co.za>

