

# What energy storage batteries are commonly used for solar energy



## What energy storage batteries are commonly used for solar energy



### Best Batteries for Solar Energy Storage

Lead-acid batteries are among the most established energy storage technologies, making them a reliable option for residential solar systems. They are favored for their: Low initial cost. Well ...

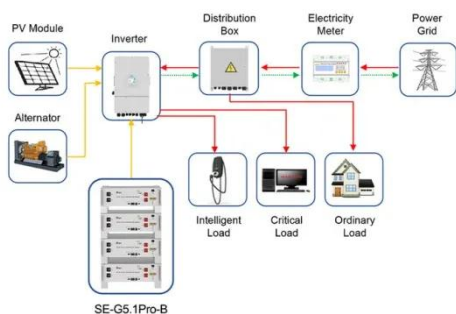
[Get Price](#)

### Types of Solar Batteries in 2026: A Comprehensive Guide

Lithium-ion batteries are the most common type of battery used in residential solar systems, followed by lithium iron phosphate (LFP) and lead acid. Lithium-ion and LFP batteries last ...



[Get Price](#)



Application scenarios of energy storage battery products

### Solar Energy Storage Battery Guide , Best Battery for Solar Storage

Discover the best solar energy storage batteries for residential and commercial use. Compare LiFePO4, lead-acid, and flow batteries based on lifespan, efficiency, cost, and applications. ...

[Get Price](#)

## How to Choose the Right Types of Solar Batteries , Watt Masters

Solar batteries play a pivotal role in storing excess energy generated by solar panels, ensuring a continuous power supply even during periods of low sunlight. In this comprehensive guide, we will ...



[Get Price](#)

---



## Ultimate Guide to Solar Battery Storage - JMBatteries

Explore the ultimate guide to solar battery storage, covering types, benefits, and how to maximize your solar energy savings.

[Get Price](#)

---

## Types of solar batteries: A guide to solar energy storage

While lead-acid batteries may be the technology of yesterday and flow batteries could be the future of large-scale electricity storage, lithium-ion batteries are the best choice for homeowners ...



[Get Price](#)

---

## Types of Solar Batteries: A Comprehensive Guide , Renogy US



Several battery chemistries are commonly used for solar energy storage, including flooded and sealed lead-acid, lithium iron phosphate (LiFePO<sub>4</sub>), other lithium-ion variants, nickel-cadmium, and flow ...

[Get Price](#)

## What Type of Batteries Are Used to Store Solar Power and How to ...

What types of batteries are commonly used for solar energy storage? Common battery types for solar energy include lead-acid batteries, lithium-ion batteries, flow batteries, and sodium-ion ...

[Get Price](#)



## What energy storage batteries are commonly used for solar energy

Energy storage batteries frequently utilized for solar energy encompass lithium-ion, lead-acid, and flow batteries, each exhibiting unique attributes tailored for different applications.

[Get Price](#)

## What is solar panel battery storage and how does it work

Solar panel battery storage: what are solar batteries and how do they work at home? Solar batteries let you store excess solar energy to use later.

[Get Price](#)



---

## Contact Us

---

For catalog requests, pricing, or partnerships, please visit:  
<https://www.pienaarshof.co.za>

