

PIENAAR ENERGY (PTY) LTD

What does lithium battery energy storage tank mean



Overview

The answer is an energy storage technology that uses lithium-ion batteries to store electricity and release it again when needed. A battery energy storage system (BESS) is an electrochemical device that charges (or collects energy) from the grid or a power plant and then discharges that energy at a later time to. A Battery Energy Storage System (BESS) is more than just a collection of batteries. Well actually the principle of lithium battery storage is the same.

What does lithium battery energy storage tank mean



Battery Energy Storage Systems Explained: What They

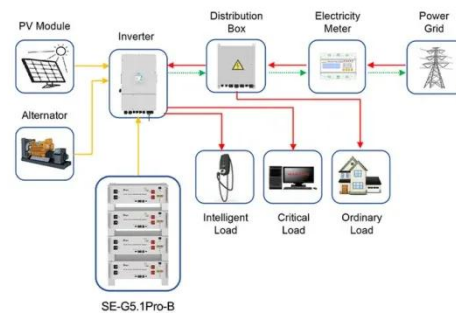
...

A battery energy storage system stores energy in batteries for later use, balancing supply and demand while supporting renewable energy integration.

[Get Price](#)

What does lithium battery energy storage tank mean

A battery energy storage system (BESS) is an electrochemical device that charges (or collects energy) from the grid or a power plant and then discharges that energy at a later time to



Application scenarios of energy storage battery products

[Get Price](#)



Battery Storage 101 , Enel North America

Find out what battery storage is, how it can help your organization reduce utility bills and unlock energy flexibility revenues, and why it is the solution you need to future-proof your operations.

[Get Price](#)

Battery energy storage system

A battery energy storage system (BESS), battery storage power station, battery energy grid storage (BEGS) or battery grid storage is a type of energy storage technology that uses a group of batteries

...



[Get Price](#)

Lithium battery parameters

Product capacity: 100Ah

Product size: 135*197*35mm

Product weight: 1.82kg 197mm / 7.7in

Product voltage: 3.2V

internal resistance: within 0.5



What does the lithium battery energy storage system include?

By harnessing the unique advantages of lithium technology, such as high energy density, compactness, and longevity, these systems empower a wide array of applications, from renewable ...

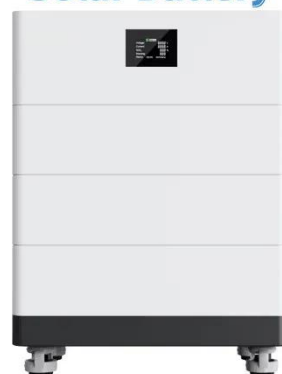
[Get Price](#)

What Is a Battery Energy Storage System and Why It Matters for the

One of the most versatile and widely deployed solutions is the Battery Energy Storage System (BESS). But what exactly is a BESS, how does it work, and why is it increasingly important ...

[Get Price](#)

High Voltage Solar Battery



What is Lithium-Ion Battery Storage and How Does It Work?



Lithium energy storage works by the way electricity from solar panels or wind turbines can be stored first, then used at night, during cloudy weather, or when the main electricity supply is ...

[Get Price](#)

Grid-Scale Battery Storage: Frequently Asked Questions

A battery energy storage system (BESS) is an electrochemical device that charges (or collects energy) from the grid or a power plant and then discharges that energy at a later time to provide electricity or ...



[Get Price](#)



What Is a Battery Energy Storage System (BESS)?

What Is a Battery Energy Storage System (BESS)? A BESS is an integrated set of batteries, inverters, controls, and safety gear that captures electricity, stores it, and later delivers ...

[Get Price](#)

Lithium Battery Energy Storage System: Benefits and Future

What is a Lithium Battery Energy Storage System? A lithium battery energy storage system uses lithium-ion batteries to store electrical energy for later use.

[Get Price](#)



Contact Us

For catalog requests, pricing, or partnerships, please visit:
<https://www.pienaarshof.co.za>

