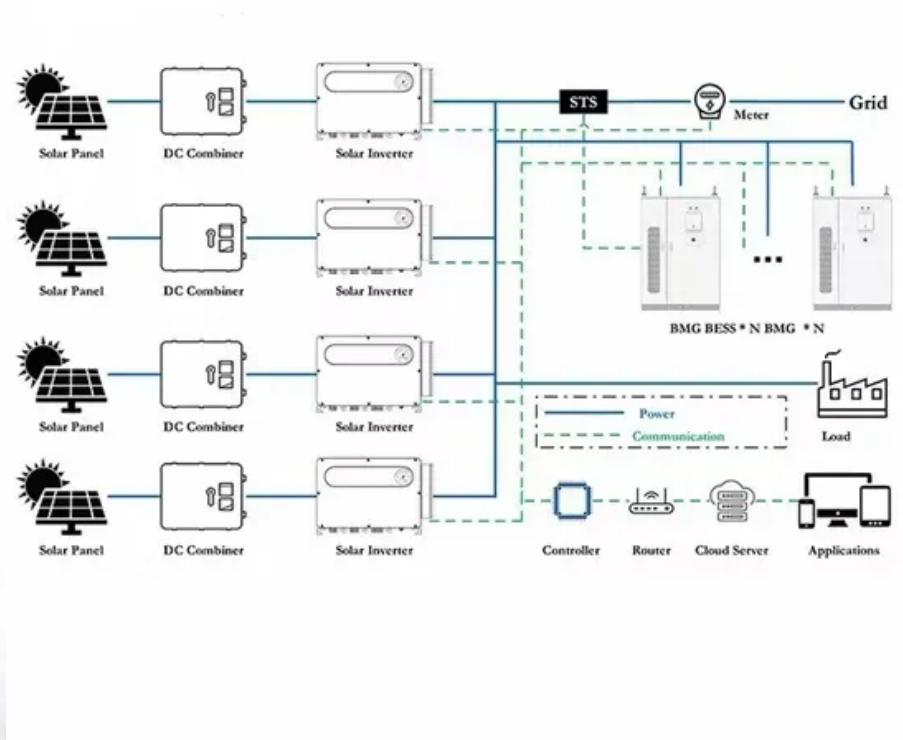


PIENAAR ENERGY (PTY) LTD

What are the independent energy storage power stations in Latvia



Overview

This article explores companies developing energy storage power stations in Latvia, market trends, and the role of battery systems in grid stability. Additional to the three major hydroelectric plants, there are approximately 150-160 operational hydroelectric plants with capacity below 5 MW each. In Latvia, developer Utilitas Wind announced the official opening of a 10MW/20MWh battery energy storage. Latvia's energy system is largely based on renewable resources, primarily hydropower from the Daugava River, supplemented by wind, solar, and biomass. While natural gas imports cover energy shortages, the country aims to increase wind and solar energy capacity, with significant progress already. The Battery Energy Storage System (BESS) is one of the most important projects in the synchronisation of Baltic power grids with the continental Europe electricity system in order to ensure operational stability and the reliable supply of electricity. Neighbouring countries are Estonia (to the north), Russia (to the east), Belarus (to the south-east), and Lithuania (to the south).

What are the independent energy storage power stations in Latvia



Latvia adds big batteries to complete grid sync with Europe, two major

The addition of two utility-scale battery energy storage systems (BESS) in Latvia marks the final milestone in synchronizing the Baltic power grids with continental Europe, according to the ...

[Get Price](#)

Energy infrastructure in Latvia

Independent renewable energy producers are considering different ways to add energy storage to solar and wind generation. Local authorities support decentralized renewable energy and ...

[Get Price](#)



Energy industry in Latvia

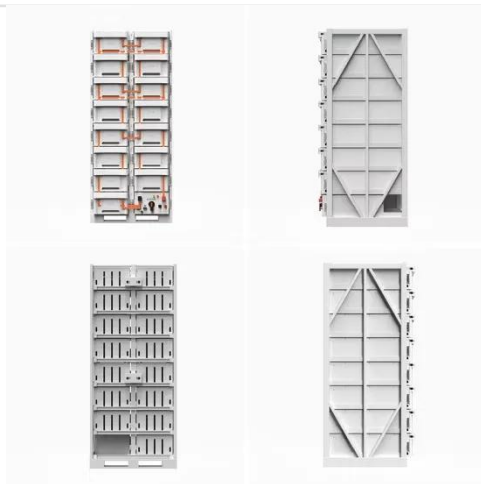
According to U.S. Energy Information Administration, primary energy production in Latvia accounts for 28.45% of total energy consumption in 2022 (Fig. 5). The Ventspils Nafta terminal is the ...

[Get Price](#)

Latvia: first BESS opens ahead of Russia grid uncoupling

In Latvia, developer Utilitas Wind announced the official opening of a 10MW/20MWh battery energy storage system (BESS) last week (1 November) in Targale, a village in Latvia's north ...

[Get Price](#)



List of power stations in Latvia

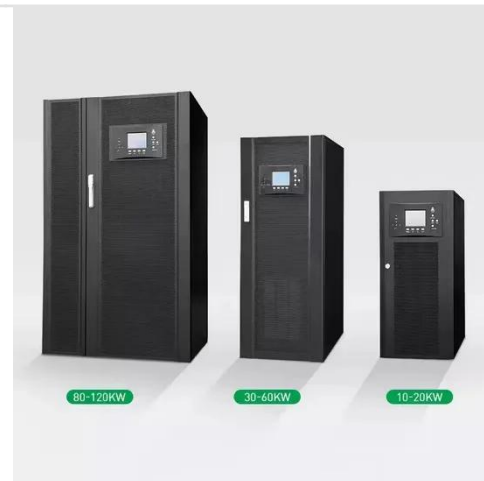
There are currently a total of 23 operational biogas power stations and seven biomass power stations in Latvia. Most of them are cogeneration stations.

[Get Price](#)

Latvia Power Plants

List of power plants in Latvia from OpenStreetMap

[Get Price](#)



Energy Storage Power Stations in Latvia: Key Players and Market

Latvia's energy storage sector is rapidly evolving to meet EU sustainability goals.

This article explores companies developing energy storage power stations in Latvia, market trends, and the role of battery ...

[Get Price](#)



RENEWABLE ENERGY IN LATVIA

This has led to the development of extremely large grid-scale energy storage systems, characterized by rated power in megawatts (MW) and energy storage capacity in megawatt-hours (MWh).

[Get Price](#)



Energy Storage Container Production in Latvia: Powering the Green

With EU directives pushing for 45% renewable integration by 2030, the Baltic state faces a make-or-break moment. Enter energy storage containers - the Swiss Army knife of modern power management.

[Get Price](#)

Batteries , AST

In order to provide power reserves, with

Decree No.674 of 24 September 2024,
the Republic of Latvia's Cabinet of
Ministers gave permission for AST to
acquire, install and operate ...

[Get Price](#)



Contact Us

For catalog requests, pricing, or partnerships, please visit:
<https://www.pienaarshof.co.za>

