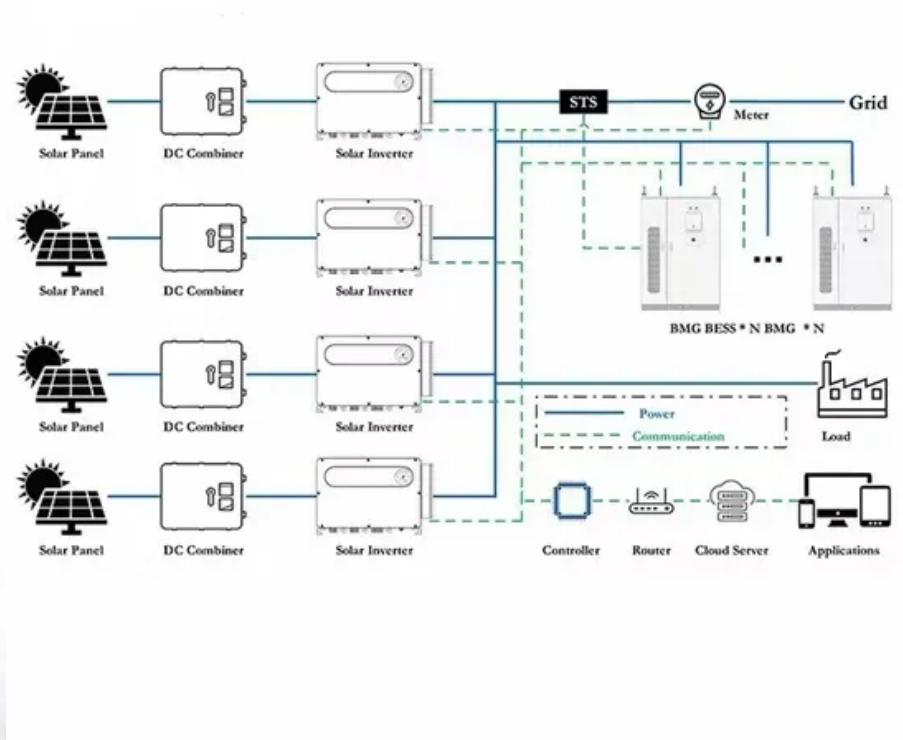


PIENAAR ENERGY (PTY) LTD

What are the bottlenecks in the development of photovoltaic panels



Overview

Solar energy technology faces several significant bottlenecks that hinder its widespread adoption and efficiency. Energy storage challenges, 4. Among these. Today, China's share in all the manufacturing stages of solar panels (such as polysilicon, ingots, wafers, cells and modules) exceeds 80%. This is more than double China's share of global PV demand.

What are the bottlenecks in the development of photovoltaic panels



Identifying Bottlenecks in the Photovoltaic Systems Innovation

The same strategy identifies regulations and public policies, as well as bureaucratic administration, as the main bottlenecks to an increased implementation of photovoltaic systems.

[Get Price](#)

What are the bottlenecks of solar power generation? , NenPower

Nevertheless, comprehensive efforts are crucial in addressing these bottlenecks. Broad policy support, innovative financing mechanisms, and technological advancements must converge ...



[Get Price](#)



Solar Market Insight Report 2024 Year in Review - SEIA

The industry remains optimistic about the role of solar in achieving energy dominance and meeting rising electricity demand. State-level initiatives and corporate demand will gain more relevance and drive ...

[Get Price](#)

A review of solar photovoltaic technologies: developments, challenges

Solar photovoltaic (PV) technology has emerged as a key renewable energy solution, yet its widespread adoption faces several technical and economic challenges.

[Get Price](#)



Analysis of bottlenecks in the development of photovoltaic panels

The purpose of this paper is to propose a conceptual framework for handling end of life (henceforth EoL) scenarios of solar photovoltaic (solar PV) panels, which includes different options available to ...

[Get Price](#)

The current bottleneck in solar photovoltaic industry development lies

The current bottleneck in industry development lies not in the production but in the overall power system. Today's power system is not fully equipped to handle the intermittent and large-scale

...

[Get Price](#)



What are the bottlenecks of

solar energy technology?



Solar energy technology faces several significant bottlenecks that hinder its widespread adoption and efficiency. 1. Efficiency limitations, 2. High initial costs, 3. Energy storage challenges, 4. ...

[Get Price](#)

How to resolve the bottlenecks that slow down the green transition

Globally, renewable energy projects are suffering long lead and permitting times, among other challenges such as supply-chain bottlenecks, a growing skills gap, lack of collaboration with ...

[Get Price](#)



Executive summary - Solar PV Global Supply Chains

Global capacity for manufacturing wafers and cells, which are key solar PV elements, and for assembling them into solar panels (also known as modules), exceeded demand by at least 100% at ...

[Get Price](#)



PROJECT PROFILE: Overcoming Bottlenecks to Low

This project identifies and addresses the

bottlenecks that currently prevent the silicon photovoltaic (Si PV) industry from reaching the SunShot target of six cents per kilowatt hour.

[Get Price](#)



Contact Us

For catalog requests, pricing, or partnerships, please visit:
<https://www.pienaarshof.co.za>

