

PIENAAR ENERGY (PTY) LTD

What are the batteries used in solar energy storage cabinet systems



What are the batteries used in solar energy storage cabinet system



Unlocking the Power of Cabinet-Type Energy Storage Batteries for Solar

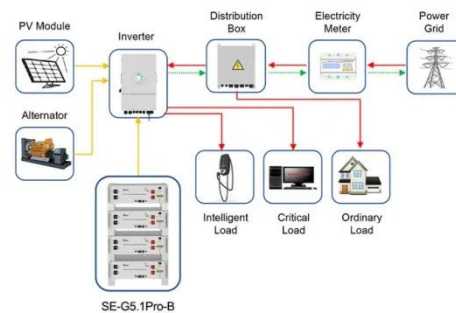
Cabinet-type energy storage batteries have emerged as a promising option for storing solar energy, offering numerous benefits that make them an ideal choice for solar energy storage.

[Get Price](#)

The Ultimate Guide to Solar Battery Storage Cabinets

Most modern solar battery storage systems use lithium-ion batteries, which offer high efficiency, longevity, and energy density. Some systems still use lead-acid batteries, which are less ...

[Get Price](#)



Application scenarios of energy storage battery products



Solar and battery storage

There are several types of batteries that your solar can charge and use for supplemental or backup power. AC-coupled batteries like the Enphase IQ Battery 5P can accept AC current.

[Get Price](#)

A Comprehensive Guide to Solar Battery Energy Storage Systems

Different battery technologies are used in solar energy storage, each with unique characteristics that affect efficiency, cost, and lifespan. The main types include:

[Get Price](#)



What is a PV Battery System? , Your Complete 2024 Guide

This is where the PV battery system comes in. Imagine capturing the excess, unused solar energy your panels generate during peak daylight hours and saving it for later. That's precisely what a solar ...

[Get Price](#)

What Type of Batteries Are Used to Store Solar Power and How to ...

Batteries play a crucial role in storing solar energy for later use. Different types of batteries offer unique advantages and disadvantages. Here's a breakdown of the most common ...

[Get Price](#)



How Do Solar Batteries Work: Complete Guide To Solar Energy ...



Unlike regular batteries that simply provide portable power, solar batteries are specifically designed to integrate with solar panel systems and handle the unique demands of home energy ...

[Get Price](#)

Ultimate Guide to Solar Battery Storage - JMBatteries

What is Battery Storage for Solar? Solar energy storage refers to the technologies and systems used to capture and store excess electrical energy generated by solar panels for later use, ...



[Get Price](#)



What batteries are used in energy storage cabinets? , NenPower

Energy storage cabinets utilize various types of batteries, including 1. Lithium-ion batteries, 2. Lead-acid batteries, 3. Nickel-cadmium batteries, 4. Flow batteries. Among these, lithium ...

[Get Price](#)

A COMPREHENSIVE GUIDE TO SOLAR BATTERY ENERGY ...

London battery solar energy storage cabinet system A battery energy storage system (BESS), battery storage power station, battery energy grid storage (BEGS) or battery grid storage is a type of ...

[Get Price](#)



Contact Us

For catalog requests, pricing, or partnerships, please visit:
<https://www.pienaarshof.co.za>

