

PIENAAR ENERGY (PTY) LTD

The process of microgrid optimization operation is



Overview

The optimization model of microgrid design can be divided into three parts: objective function, decision variables, and associated constraints. This paper reviews the developments in the operation optimization of microgrids. We first summarize the system structure and provide a typical system structure, which includes an energy generation system, an energy. This chapter introduces a dynamic design framework of microgrid considering the future information of load growth, unit investment cost variation, and device degradation. The stochastic optimization and robust optimization techniques are utilized to deal with the long-term uncertainty of energy.

The process of microgrid optimization operation is



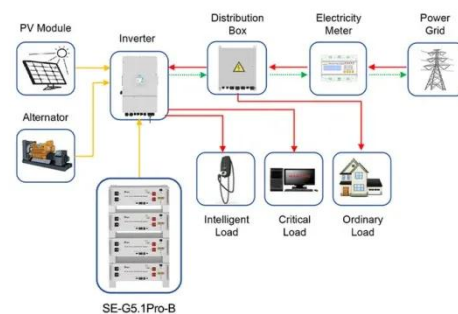
(PDF) A Review of Optimization of Microgrid Operation

Next, we systematically review the optimization algorithms for microgrid operations, of which genetic algorithms and simulated annealing algorithms are the most commonly used.

[Get Price](#)

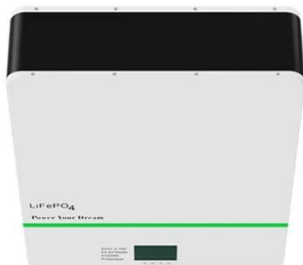
System Level Control and Optimisation of Microgrids

To meet these requirements, a hierarchical control approach is typically adopted to managing and operating a microgrid and combining fast, local responses with microgrid-wide ...



Application scenarios of energy storage battery products

[Get Price](#)



A Review of Optimization of Microgrid Operation

Microgrids are a key technique for applying clean and renewable energy. The operation optimization of microgrids has become an important research field. This paper reviews the developments in the ...

[Get Price](#)

Optimization of microgrid operations using renewable energy sources

This paper presents an overview of recent advancements and methodologies for optimizing microgrid operations utilizing renewable energy sources.

[Get Price](#)



Application of Optimization Techniques in the Design and Operation of

Different from the planning of utility power grid, the planning and design of microgrid is highly coupled with the operation optimization strategy due to its smaller scale and sensitiveness to ...

[Get Price](#)

Optimizing microgrid operations with consideration of energy

To address the above challenges and serve the national "Dual Carbon" strategy, this study is committed to establishing a regional multi-microgrid collaborative operation framework; it

[Get Price](#)



A Review of Optimization of Microgrid Operation



This paper reviews the developments in the operation optimization of microgrids. We first summarize the system structure and provide a typical system structure, which includes an energy ...

[Get Price](#)

Microgrid operation optimization

In this chapter, the framework of MG EMS is introduced. The basic models of deterministic optimization, SO, and RO are provided and a simple comparison is made in the case study. ...



[Get Price](#)



A review on microgrid optimization with meta-heuristic techniques

This optimization process may take into account variables including accessibility, expense, effectiveness, energy demand and supply. The primary objective of energy source optimization is to ...

[Get Price](#)

Contact Us

For catalog requests, pricing, or partnerships, please visit:

<https://www.pienaarshof.co.za>

