

PIENAAR ENERGY (PTY) LTD

**The greater the power
generation of solar panels the
better**



Overview

The higher the efficiency of solar panels, the cheaper the electricity. This might make you wonder: just how efficient can we expect solar energy to become?

And will it make a dent in our energy bills?

Current commercially available solar panels convert about 20-22% of sunlight into. The conversion efficiency of a photovoltaic (PV) cell, or solar cell, is the percentage of the solar energy shining on a PV device that is converted into usable electricity. Improving this conversion efficiency is a key goal of research and helps make PV technologies cost-competitive with. If you're planning to install solar panels in 2025, understanding efficiency is key. It affects how much electricity your system generates, how much roof space you'll need, and ultimately, how much you'll save over time. That's almost double what we had just 15 years ago. If you're wondering how new solar panels generate more electricity, this blog. Today, most panels are at least 20% efficient, but the best ones convert over 22% of the sun's energy into electricity.

The greater the power generation of solar panels the better



The most efficient solar panels in 2026

Not all solar panels produce the same amount of electricity from sunlight. The difference between an average panel and a highly efficient one can mean fitting a complete solar energy ...

[Get Price](#)

Solar Panel Efficiency in 2025: How to Get More Power from Every ...

This guide breaks down everything about solar efficiency in simple terms. You'll learn what affects panel performance, how to maximize output, and which technologies actually deliver results.

[Get Price](#)



Deye Official Store

10 years warranty

Solar Panel Efficiency Explained: What It Is and Why It ...

Learn what solar panel efficiency means, why it matters in 2025, and how to choose the best panels for your home.

[Get Price](#)



Unleashing the Power: A Comprehensive Guide to Photovoltaic ...

Opting for solar panels with higher solar photovoltaic efficiency can make a significant difference. These panels convert more sunlight into electricity, boosting the system's overall ...



[Get Price](#)



How Does Solar Panel Size Impact Energy Output? Choosing the ...

Larger panels offer more surface area, increasing the potential to capture sunlight and produce energy. However, efficiency depends on the photovoltaic (PV) cells' quality. For example, monocrystalline ...

[Get Price](#)

New solar cells break efficiency record - they could eventually

Current commercially available solar panels convert about 20-22% of sunlight into electrical power. However, new research published in Nature has shown that future solar panels could

[Get Price](#)



New solar cells break efficiency record - they could



...

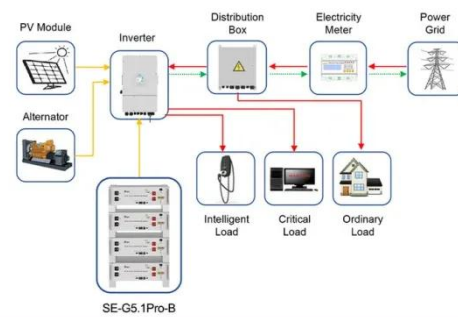
Current commercially available solar panels convert about 20 ...

[Get Price](#)

Solar Performance and Efficiency

Multiple factors in solar cell design play roles in limiting a cell's ability to convert the sunlight it receives. Designing with these factors in mind is how higher efficiencies can be achieved.

[Get Price](#)



Application scenarios of energy storage battery products



Most efficient solar panels 2025

Solar panel efficiency is the amount of sunlight (solar irradiance) that falls on the surface of a solar panel and is converted into electricity. Due to the many advances in photovoltaic ...

[Get Price](#)

How much more electricity can solar panels generate

Monocrystalline panels, made from a single crystal structure, typically provide greater efficiency--often ranging from

15% to 22%. This efficiency translates to more energy generated per ...

[Get Price](#)



How Do New Solar Panels Generate More Electricity?

If you're wondering how new solar panels generate more electricity, this blog uncovers the innovations behind modern solar power systems, focusing on solar panel efficiency, materials, ...

[Get Price](#)

Contact Us

For catalog requests, pricing, or partnerships, please visit:
<https://www.pienaarshof.co.za>

