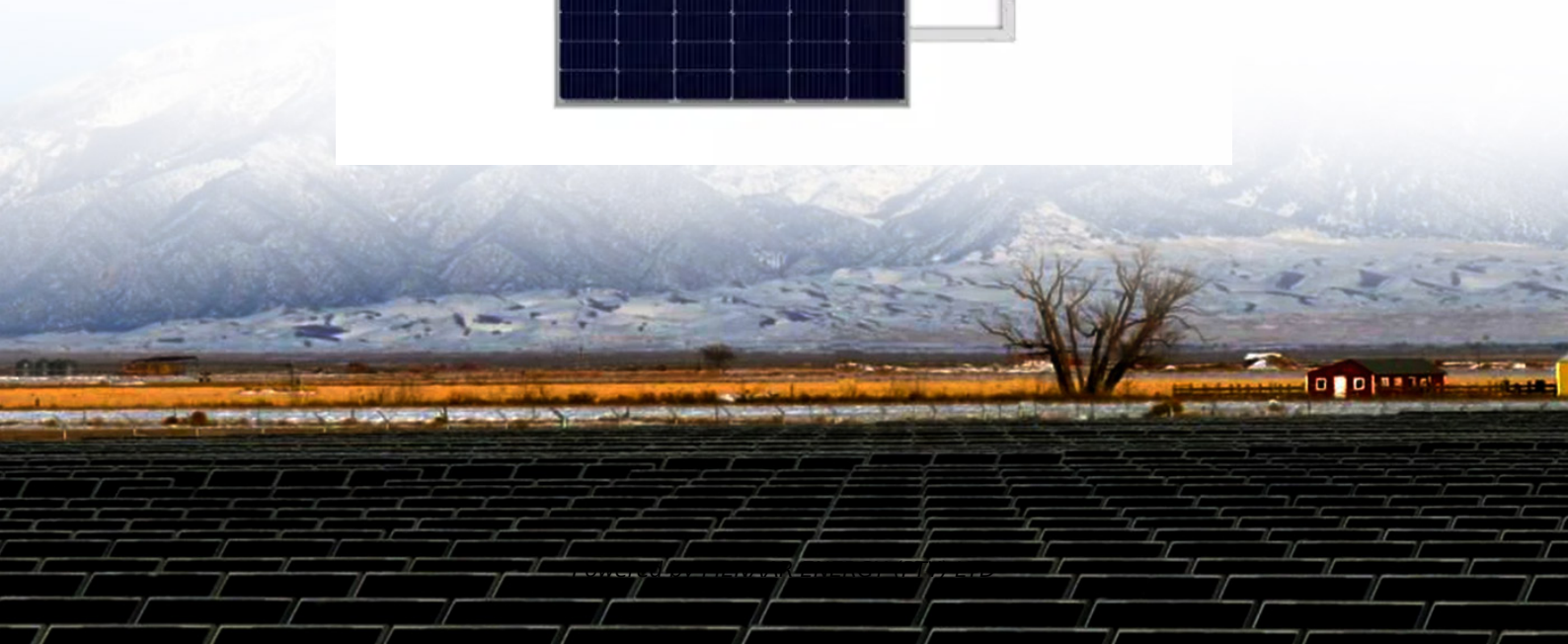


PIENAAR ENERGY (PTY) LTD

The difference between energy storage system and energy storage cabinet



Overview

Summary: Confused about energy storage cabinets and system cabinets?

This guide breaks down their differences, use cases, and industry trends. Learn which solution fits your power management needs and why these technologies matter for renewable energy, industrial, and distribution. Energy storage cabinets are the general name for the motor control center. It enhances grid reliability, providing essential backup power. An energy storage battery cabinet is a purpose-built enclosure that houses batteries and other supporting components used to store electrical energy for later use. Powering a 5G outdoor base station cabinet, a solar microgrid, or an industrial power node, the energy cabinet integrates power conversion, energy storage, and. Container energy storage systems are typically equipped with advanced battery technology, such as lithium-ion batteries.

The difference between energy storage system and energy storage



Energy Storage Cabinets: Key Components, Types, and Future ...

An energy storage cabinet is a sophisticated system used to store electrical energy. It consists of various components that work together to ensure efficient energy storage and management.

[Get Price](#)

Differences between power distribution cabinet and energy ...

This article will introduce in detail how to design an energy storage cabinet device, and focus on how to integrate key components such as PCS (power conversion system), EMS



[Get Price](#)



What is an energy storage grid cabinet? , NenPower

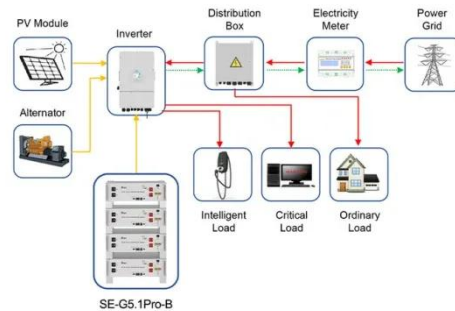
As energy from solar panels and wind turbines can be inconsistent, energy storage cabinets create a form of energy security. They allow excess energy generated during sunny or ...

[Get Price](#)

What Is an Energy Storage Battery Cabinet

Learn what an energy storage battery cabinet is, how it works, where it is used, and how it fits into modern BESS applications.

[Get Price](#)



Application scenarios of energy storage battery products



Energy Storage Cabinet vs. Generator: Which Power Solution Fits ...

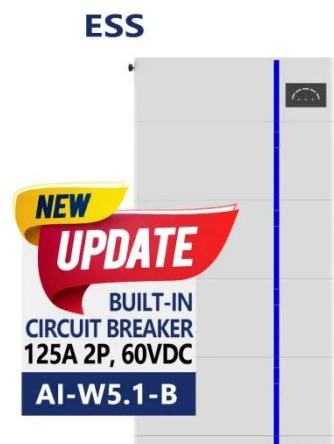
Meta Description: Discover the key differences between energy storage cabinets and generators. Learn which solution offers cost efficiency, sustainability, and reliability for residential, industrial, and ...

[Get Price](#)

Energy Storage Cabinet Configuration: A Comprehensive Guide for 2025

But with the global energy storage market projected to grow at 14.5% CAGR through 2030 [estimated], getting your cabinet setup right could mean the difference between smooth ...

[Get Price](#)



The difference between energy storage cabinets and

containers



From a structural perspective, energy storage products come in various forms, including containers, prefabricated cabins, outdoor cabinet-style, and indoor cabinet-style.

[Get Price](#)

What Is an Energy Cabinet and How Does It Work? , SolarInfo

According to the U.S. Department of Energy, integrated energy storage enclosures firm up renewable energy output, render the grid less unstable, and hybrid systems more predictable.

[Get Price](#)



What is cabinet energy storage? , NenPower

Cabinet energy storage systems operate by storing electrical energy generated during low-demand or high-production periods for usage during peak demand times. The core principle ...

[Get Price](#)



Energy Storage Cabinet vs System Cabinet Key Differences and ...

Summary: Confused about energy

storage cabinets and system cabinets?
This guide breaks down their differences,
use cases, and industry trends. Learn
which solution fits your power
management needs ...

[Get Price](#)



Contact Us

For catalog requests, pricing, or partnerships, please visit:
<https://www.pienaarshof.co.za>

