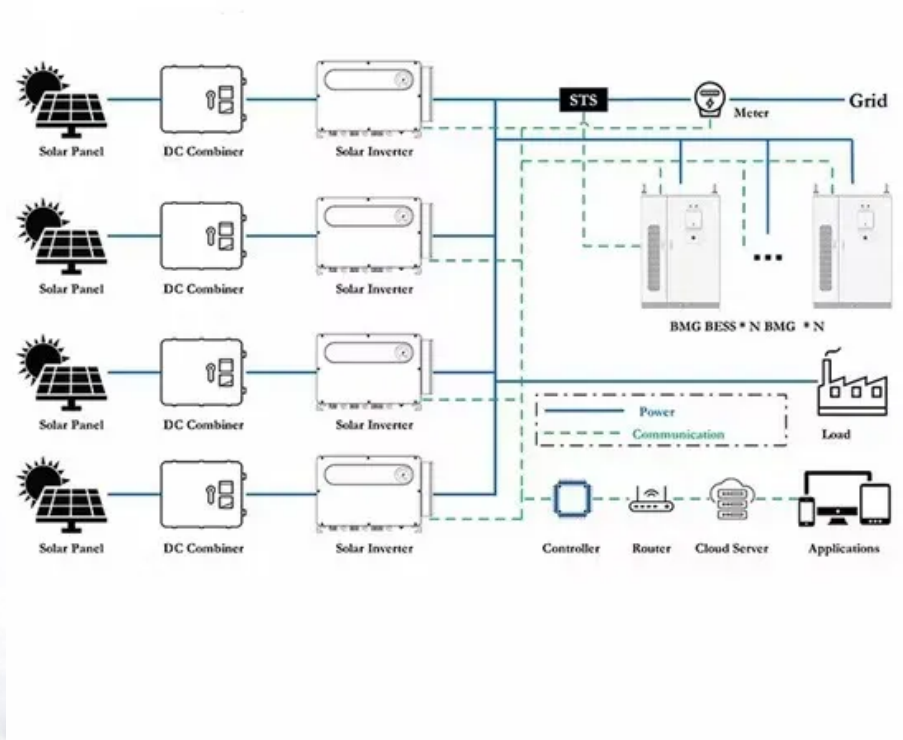


PIENAAR ENERGY (PTY) LTD

Tajikistan solar container communication station wind power standards



Overview

The paper proposes a novel planning approach for optimal sizing of standalone photovoltaic-wind-diesel-battery power supply for mobile telephony base stations. The approach is based on integration of a compr. In this context, the large hydroelectric power stations in Tajikistan can provide essential regulating capacities. Designed with a capacity of 3,600–3,780 MW, the dam is. Organized by the Ministry of Energy and Water Resources of Tajikistan, the country's National Academy of Sciences and the Association of Renewable Energy Sources of Tajikistan, a three-day regional conference entitled “Prospects for Renewable Energy Development in Tajikistan” kicked off in Dushanbe. Tajikistan is embarking on a transformative energy initiative, planning to significantly increase its electricity capacity by 2030. The country has set an ambitious goal to add 3,000 megawatts (MW) of solar and wind power, a move that will not only dramatically boost its renewable energy production. China's Shanghai Electric Group Co. A meeting in Dushanbe between Tajikistan's Minister of Energy and Water Resources Daler Juma and. f its potential for hydropower and solar power production.

Tajikistan solar container communication station wind power stand



Solar container communication wind power related standards

Modular solar power station containers represent a revolutionary approach to renewable energy deployment, combining photovoltaic technology with standardized shipping

[Get Price](#)

TAJIKISTAN TO BUILD SOLAR AND WIND POWER PLANTS WITH ...

This guide explores high-performance 3KW and 5KW portable power stations, featuring LFP (LiFePO4) battery technology, solar compatibility, and rugged design, engineered to meet the rigorous demands ...



[Get Price](#)



Tajikistan mobile power station container power generation

LZY mobile solar systems integrate foldable, high-efficiency panels into standard shipping containers to generate electricity through rapid deployment generating 20-200 kWp solar

[Get Price](#)

Chinese company interested in constructing solar and wind power ...

The Chinese company displayed interest in collaborating on projects such as the construction of solar and wind power plants, high-voltage transmission lines, waste-to-energy power ...



[Get Price](#)



Tajikistan solar container communication station hybrid energy ...

This large-capacity, modular outdoor base station seamlessly integrates photovoltaic, wind power, and energy storage to provide a stable DC48V power supply and optical distribution.

[Get Price](#)

Tajikistan solar power: Impressive 2030 energy plan

The country has set an ambitious goal to add 3,000 megawatts (MW) of solar and wind power, a move that will not only dramatically boost its renewable energy production but also underpin ...



[Get Price](#)

Tajikistan intends to increase generation of electricity from solar and



Tajikistan is continuing cooperation with partners for development on construction of solar power plants. Estimated potential of solar energy in Tajikistan is about 25 billion kWh / year.

[Get Price](#)

This report is prepared by support of UNECE

In the Sughd region, Tajikistan is constructing its first large-scale solar power plant with a planned capacity of 200 MW, marking a significant step toward expanding the country's renewable energy ...

[Get Price](#)



Hybrid power generation using solar and wind Tajikistan

Tajikistan plans to generate up to 10% of its electricity from renewable sources such as solar and wind by 2030, the Minister of Energy and Water Resources of Tajikistan, Daler Juma, said, Interfax reports.

[Get Price](#)

Contact Us

For catalog requests, pricing, or partnerships, please visit:
<https://www.pienaarshof.co.za>

