

PIENAAR ENERGY (PTY) LTD

Specifications of solar greenhouse in Pecs Hungary



3.2v 280ah



Overview

Table 1 shows that these PV greenhouses were developed recently: all the greenhouses were less than 10 years old, and 90% of them were constructed after 2016. The design of the greenhouse structure in these PV studies was varied; namely, gable, Venlo, pitched, Quonset, flat arch, and. Pécs Solar Park is a large thin-film photovoltaic (PV) power system, built on a 20 ha (49 acres) plot of land located in Pécs in Hungary. The solar park has around 38,000 state-of-the-art thin film PV panels for a total nameplate capacity of 20-megawatts, and was finished in April 2016. [1] The. In 2008, the Philippines enacted the Renewable Energy Act (RA 9513), opening the path for the expansion of renewable energies (RE) in the country. and the University of Pécs (PTE) as part of a project that enables the local production of renewable energy by reducing energy costs and dependence on fossil fuels, and provides favorable. Global Solar Power Tracker, a Global Energy Monitor project. Pécs solar project is an operating solar farm in Pécs, Baranya vármegye, Hungary. Read more about Solar capacity ratings. In simple terms, you can expect to generate more electricity from your solar panels during some parts of the year than others. In. Magyar Villamos Pecs Solar PV Park is a 10MW solar PV power project. According to GlobalData, who tracks and profiles over 170,000 power plants worldwide, the project is currently active. It has been developed in a single phase. Post completion of construction.

Specifications of solar greenhouse in Pecs Hungary



Specifications of photovoltaic greenhouse in Pecs Hungary

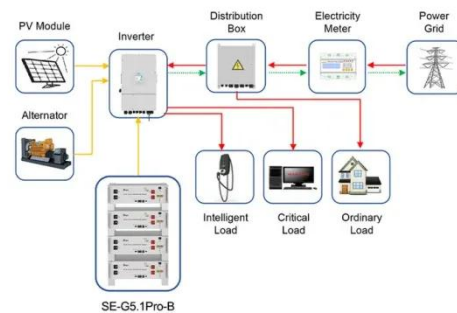
Table 1 shows that these PV greenhouses were developed recently: all the greenhouses were less than 10 years old, and 90% of them were constructed after 2016. The design of the greenhouse structure ...

[Get Price](#)

Budapest Photovoltaic Panel Greenhouse Farming: The Future of

"Our solar greenhouse system paid for itself in 3.2 years through energy savings and increased yields," reported a paprika farmer from Szeged.

[Get Price](#)



Application scenarios of energy storage battery products

OEM service

Hot Colors:



Color can be customized
more questions just do not hesitate to contact us

LOGO Position: (Screen printing)



SPECIFICATIONS OF PHOTOVOLTAIC GREENHOUSE IN PECS HUNGARY

The various forms of solar energy - solar heat, solar photovoltaic, solar thermal electricity, and solar fuels offer a clean, climate-friendly, very abundant and inexhaustive energy resource to mankind.

[Get Price](#)

Pécs solar project

Pécs solar project is an operating solar farm in Pécs, Baranya vármegye, Hungary.

[Get Price](#)



Pécs Solar Park

Pécs Solar Park is a large thin-film photovoltaic (PV) power system, built on a 20 ha (49 acres) plot of land located in Pécs in Hungary. The solar park has around 38,000 state-of-the-art thin film PV panels for a total nameplate capacity of 20-megawatts, and was finished in April 2016. The solar park is expected to supply around 63 GWh of electricity per year enough to power some 10,000 average ...

[Get Price](#)

Power plant profile: Magyar Villamos Pecs Solar PV Park, Hungary

Magyar Villamos Pecs Solar PV Park is a ground-mounted solar project which is spread over an area of 20 hectares. The project generates 10,115MWh electricity thereby offsetting 15,000t of carbon ...



[Get Price](#)

Greenhouse Solar Panels to Be Developed by Pecs Uni With ...



The University of Pecs (SW Hungary) is partnering with tile maker Terran Tetcserrep Gyarto and solar panel company Solar-Napelem to develop solar panels that can power ...

[Get Price](#)

Solar PV Analysis of Pécs, Hungary

Finding the exact optimal angle to maximise solar PV production throughout the year can be challenging, but with careful consideration of historical solar energy and meteorological data for a ...

[Get Price](#)



TAX FREE    

Product Model
HJ-ESS-215A(100KW/215KWh)
HJ-ESS-115A(50KW 115KWh)

Dimensions
1600*1280*2200mm
1600*1200*2000mm

Rated Battery Capacity
215KWH/115KWH

Battery Cooling Method
Air Cooled/Liquid Cooled

ENERGY STORAGE SYSTEM

- LiFePO₄ Battery, safety**
- Wide temperature: -20~55°C**
- Modular design, easy to expand**
- The heating function is optional**
- Intelligent BMS**
- Cycle Life: > 6000**
- Warranty: 10 years**



Solar panels installed in greenhouses can make crop production more

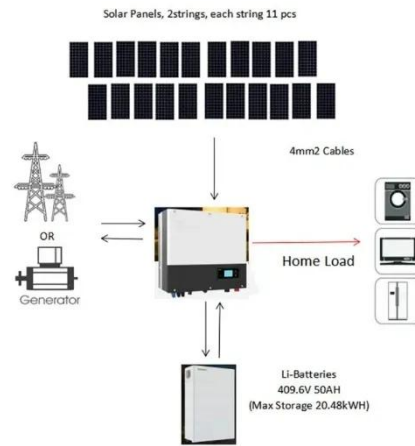
The project, which is being implemented in Pécs by a collaboration of industrial and academic actors, aims to prepare those involved in crop production for the challenges of increasingly extreme climate ...

[Get Price](#)

solar power generation system in pecs, hungary

Pécs Solar Park is a large thin-film photovoltaic (PV) power system, built on a 20 ha (49 acres) plot of land located in Pécs in Hungary. The solar park has around 38,000 state-of-the-art thin film PV ...

[Get Price](#)



Contact Us

For catalog requests, pricing, or partnerships, please visit:
<https://www.pienaarshof.co.za>

