

PIENAAR ENERGY (PTY) LTD

Solution to large pressure difference in energy storage system



Overview

Their setup converts pipe pressure differences into electricity through what's essentially a waterwheel for electrons - generating 5-8% extra system efficiency. Recognized for their indispensable role in ensuring grid stability and seamless integration with renewable energy sources. These storage. They demand perfect voltage conditions, and even a tiny pressure difference between battery cells can turn your high-tech power bank into a temperamental toddler. In 2025, as global energy storage capacity is projected to hit 1. As the world rapidly transitions towards cleaner energy sources, the need for efficient storage solutions has become increasingly critical. Typically, either solids or liquids are utilized.

Solution to large pressure difference in energy storage system



(PDF) Comparing Subsurface Energy Storage Systems

In this paper, a comparative analysis between underground pumped storage hydropower (UPSH), compressed air energy storage (CAES) and suspended weight gravity energy storage ...

[Get Price](#)

Comprehensive review of energy storage systems technologies, ...

For enormous scale power and highly energetic storage applications, such as bulk energy, auxiliary, and transmission infrastructure services, pumped hydro storage and compressed air energy ...

[Get Price](#)



Grid-Scale Energy Storage: Designing Large-Scale Systems for ...

Grid-scale energy storage refers to the large-scale systems designed to store energy generated from various sources, particularly renewable energy. As the world rapidly transitions towards cleaner energy sources, the ...

[Get Price](#)



Different energy storage techniques: recent advancements, applications

In the present work, the concepts of various energy storage techniques and the computation of storage capacities are discussed. Energy storage materials are essential for the utilization of renewable ...



[Get Price](#)



Energy Storage Pressure Drop: Challenges and Solutions for Renewable

You know, when we talk about renewable energy systems, everyone's focused on battery capacity or solar panel efficiency. But here's the kicker: energy storage pressure drop quietly determines whether your ...

[Get Price](#)

Energy Storage Power Station Pressure Difference: Why It Matters and

Let's face it - energy storage systems are like picky eaters. They demand perfect voltage conditions, and even a tiny pressure difference between battery cells can turn your high-tech power bank into ...



[Get Price](#)



Energy Storage Systems: Technologies and High-Power Applications

Recent advancements and research have focused on high-power storage technologies, including supercapacitors, superconducting magnetic energy storage, and flywheels, characterized by high-power ...

[Get Price](#)

SOLUTION TO LARGE PRESSURE DIFFERENCE IN ENERGY STORAGE

This project is located in Northern Europe and adopts a large-scale containerized energy storage solution to support utility-scale energy storage and grid stability.



[Get Price](#)



What is the pressure difference of large energy storage batteries

Research in this field continues to unravel innovative solutions to complex challenges associated with pressure management, ultimately promoting the efficacy of large energy storage ...

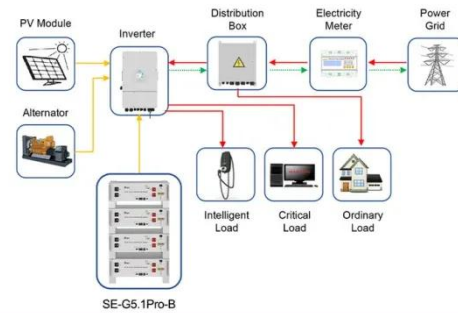
[Get Price](#)

Critical review of energy storage systems: A

comparative assessment of

Explores the necessity of robust energy storage systems (ESS) for mitigating intermittency issues in renewable energy sources. Discusses the working principles, fundamental mechanisms, advantages, and ...

[Get Price](#)



Application scenarios of energy storage battery products

Contact Us

For catalog requests, pricing, or partnerships, please visit:
<https://www.pienaarshof.co.za>

