

PIENAAR ENERGY (PTY) LTD

Solar inverter current negative number



Overview

If the load shows a negative symbol, then that means that the unit is in AC coupled mode. AC coupled is selling power to the grid from the AC output of the inverter. Let's say I have 10 combiner boxes that are connected to an inverter, and while the inverter is running I see 3 combiner boxes recording negative. Device display The Inverter RS Smart Solar has an LCD screen that displays operational information. Inverter: Inverter state, Power output, Frequency and AC Voltage Battery: Battery Power (charging shows positive number, discharging shows negative number), Current, DC voltage, Temperature (*). A solar inverter display typically shows information about the current power output, total energy production, and any system errors or issues. The analysis covers various types of solar inverter configurations and.

Solar inverter current negative number



Solar Energy

There are two main types of solar energy technologies--photovoltaics (PV) and concentrating solar-thermal power (CSP). On this page you'll find resources to learn what solar ...

[Get Price](#)

Best solar companies in Manassas, VA: Our 2025 picks

Get the most out of your solar panels by choosing a top-rated solar installer that will do the job right. We reviewed Manassas, VA solar companies on the EnergySage Marketplace to help you find the best ...



[Get Price](#)



What does the negative value for load mean in the System Status ...

System status screen is showing load as negative. If the load shows a negative symbol, then that means that the unit is in AC coupled mode. AC coupled is selling power to the grid from the ...

[Get Price](#)

How to Read Solar Inverter Display?

To determine if your solar inverter is functioning properly, start by checking the display panel for essential performance metrics. Your inverter should show a normal power output that varies with ...



[Get Price](#)



solar inverter current negative number

May 2, Under grid voltage sags, over current protection and exploiting the maximum capacity of the inverter are the two main goals of grid-connected PV inverters.

[Get Price](#)

5. Operation

Note that in the case of the 100/20 Solar chargers and smaller - which have a dedicated load output - a Positive notation alongside the current reading means that current is flowing to the battery; whereas ...



[Get Price](#)

Solar & Battery Solutions , Generac

Generac Solar & Battery Solutions provide a more powerful, resilient and smart way to manage your energy

needs.

[Get Price](#)



Why there is a negative current flowing into solar panels

Was it constantly negative current or fluctuating between negative and positive? Did you know that panels that are in the shade, or at night, will consume energy? That is why you might need ...

[Get Price](#)



To lower electric bills, consumers quietly install DIY solar

Plug-in solar has remained in the shadows because of a lack of safety standards and often costly requirements imposed by utilities, but that's changing.

[Get Price](#)

Solar Panels for Home in 2026 , Solar

Solar panels work through the photovoltaic (PV) effect. When sunlight hits the panels, it creates an electric current that is first used to power electrical systems in your home.

[Get Price](#)



Positive and negative VARs and Solar inverter Grid connect schemas

Assuming my understanding of the above is correct, adding negative VARs (adding capacitance) would usually have the effect of raising voltage levels due to most grids having some ...

[Get Price](#)

Solar explained

People have used the sun's rays (solar radiation) for thousands of years for warmth and to dry meat, fruit, and grains. Over time, people developed technologies to collect solar energy for heat and to ...

[Get Price](#)



Fault Characteristic Analysis of Photovoltaic Inverters Considering



This article explores the steady-state short-circuit current characteristics and equivalent negative sequence impedance of PV inverters under asymmetrical faults, with a focus on different ...

[Get Price](#)

How to Read Solar Inverter Display

When observing the display, you will see that the solar inverter readings alternate between positive and negative numbers. Here, the positive value refers to the amount of electricity ...



[Get Price](#)



Is Solar Worth It in 2026 After the 30% Tax Credit Ends?

Discover why rising electricity prices make solar a great investment in 2026, even after the 30% federal tax credit expires. We break down the long-term savings.

[Get Price](#)

Solar Energy - SEIA

Solar power is energy from the sun that is converted into thermal or electrical energy. Solar energy is the cleanest and most abundant renewable energy source

available, and the U.S. has some of the

...

[Get Price](#)



How to Read Solar Inverter Display: A Comprehensive Guide for ...

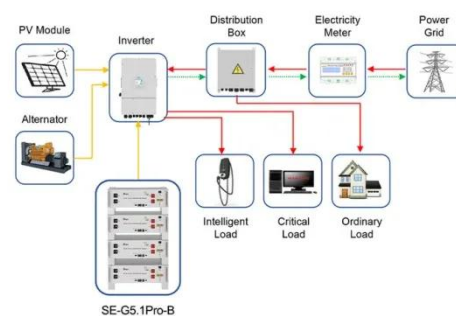
A solar inverter display typically shows information about the current power output, total energy production, and any system errors or issues. Users can read this display by first identifying ...

[Get Price](#)

Solar energy , Definition, Uses, Examples, Advantages, & Facts

Solar energy is radiation from the Sun that is capable of producing heat, causing chemical reactions, or generating electricity. The total amount of solar energy incident on Earth is ...

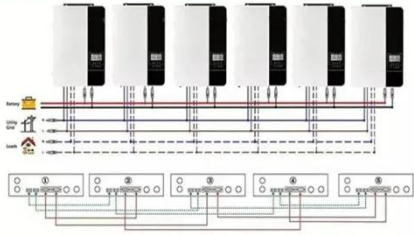
[Get Price](#)



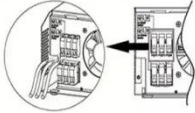
Application scenarios of energy storage battery products

How to Read a Solar Inverter Display, Solar Power Monitoring Guide

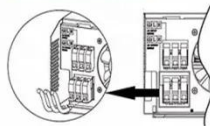
Parallel (Parallel operation up to 6 unit (only with battery connected))



AC input wires



AC output wires



The inverter is crucial as it converts the direct current (DC) from your solar panels into alternating current (AC) for your home. This guide will help you interpret the various readings on your solar inverter display.

[Get Price](#)

Contact Us

For catalog requests, pricing, or partnerships, please visit:
<https://www.pienaarshof.co.za>

