

PIENAAR ENERGY (PTY) LTD

Solar container lithium battery pack parameters



Overview

Let's break down their essential technical parameters: Standard containers typically offer 500 kWh to 5 MWh, with modular designs allowing capacity expansion. For example, EK SOLAR's PowerStack C9 achieves 2.4 MWh per 20-foot container, scalable to 10 MWh through parallel. The BMS system of the battery system is managed in three levels, namely L1 BMS, L2 BMS, and L3 BMS. The main functions of each level of BMS are as follows: L1 BMS (pack level, built into the pack): Monitor the voltage, temperature of a single cell and the total voltage of a single tray, And the. We combine high energy density batteries, power conversion and control systems in an upgraded shipping container package. Lithium batteries are CATL brand, whose LFP chemistry packs 1 MWh of energy into a battery volume of 2. • Sinovoltaics platform: Access the Sinovoltaics Platform and benefit from our resources to streamline your Energy Storage System Supply Chain. • Contract optimization: Sinovoltaics has. ers lay out low-voltage power distribution and conversion for a b de ion - and energy and assets monitoring - for a utility-scale battery energy storage system entation to perform the necessary actions to adapt this reference design for the project requirements. The content listed in this document comes from Sinovoltaics' own BESS pro ensure the continuity of ensure the continuity of renewable energy.

Solar container lithium battery pack parameters



Utility-scale battery energy storage system (BESS)

This reference design focuses on an FTM utility-scale battery storage system with a typical storage capacity ranging from around a few megawatt-hours (MWh) to hundreds of MWh.

[Get Price](#)

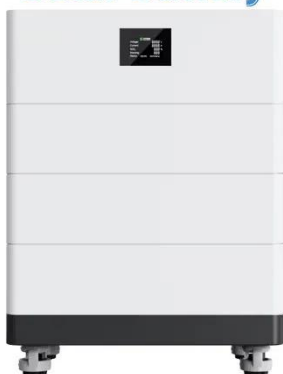
5MWh 20 ft BESS Container

Ultra High Safety Land Saving LFP battery cells with smart liquid cooling system; Multi-stage FSS compliant with NFPA 855

[Get Price](#)



High Voltage Solar Battery



Specification of 5MWh Battery Container System

The battery cell adopts the lithium iron phosphate battery for energy storage. At an ambient temperature of 25°C, the charge-discharge rate is 0.5P/0.5P, and the cycle life of the cell (number of cycles) \geq ...

[Get Price](#)

containerized battery storage , SUNTON POWER

Lithium-ion battery energy storage systems contain advanced lithium iron phosphate battery modules, BMS, and fuse switches as DC short circuit protection and circuit isolation, all of which are centrally ...

[Get Price](#)



Containerized energy storage , Microgreen.ca

Customized EMS: battery monitoring & diagnostics and IoT data reporting; controllable load parameters for power on/off including microgrid demand, back-up triggers and hourly price schedules. Modular ...

[Get Price](#)

BATTERY ENERGY STORAGE SYSTEMS

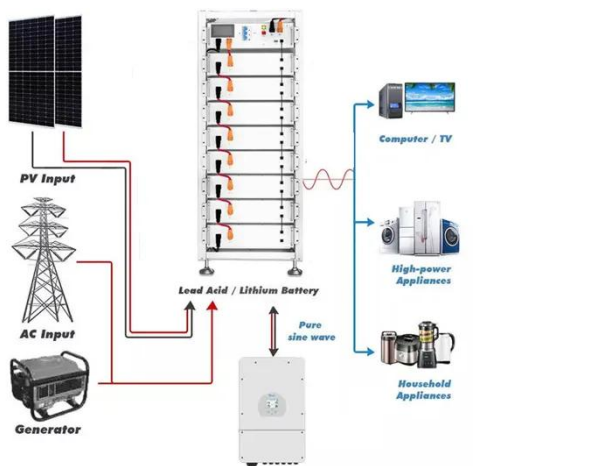
Several points to include when building the contract of an Energy Storage System: o Description of components with critical technical parameters: power output of the PCS, capacity of the battery ...

[Get Price](#)



Solar container battery parameter standards

Discover how to select and configure



home energy storage batteries with Yohoo Elec. Learn about key parameters like capacity, C-rate, DOD, and design strategies for peak

[Get Price](#)

BATTERY PARAMETERS

This guide provides step-by-step instructions on how to install your R-BOX-OC outdoor solar battery cabinet, including site selection, assembly, wiring, and system testing. [pdf]

[Get Price](#)



Energy Storage Container Batteries: Key Specifications, Models, and

Energy storage container batteries offer flexible, cost-effective power solutions across industries. By understanding key specifications like voltage range, cycle life, and safety certifications, businesses ...

[Get Price](#)

Alofi solar container lithium battery PACK production

The packaging and assembly of lithium-

ion battery packs are crucial in the field of energy storage and have a significant impact on applications like electric vehicles and electronics. The pack line process ...

[Get Price](#)



Contact Us

For catalog requests, pricing, or partnerships, please visit:
<https://www.pienaarshof.co.za>

