

PIENAAR ENERGY (PTY) LTD

Solar and wind power novel



Overview

William Kamkwamba's inspiring memoir, adapted for young readers and based on his own life, offers a unique lens through which to explore climate education. This K-12 Renewable Energy reading list is packed with powerful stories that will inspire young minds and create awareness of the opportunities and advantages of solar, wind, hydroelectric, geothermal and tidal energy. These books cover stories of resilience, ingenuity to hands-on explorations of. What if the future of energy isn't just about big grids and massive power plants, but about communities harnessing the sun and wind right where they live?

Renewable energy is transforming how we think about power, not just as a resource but as a lifeline for our planet and economy. power generation for the next two years. As a result of new solar projects coming on line this year, we forecast that U. To help navigate through the vast selection, we have compiled a list of the top 10 most popular renewable energy books. From solar power to wind energy and everything in between. Energy is a broad term that covers a lot of areas, including energy production, distribution, and usage around the world. This list helps researchers tucked away in their daily grind develop their next. Off Grid Home Building Essentials: A Comprehensive Planning Handbook for House Options, Solar, Wind, Water, Heating and Cooling--Self-Sufficiency Projects for Off Grid Living! (Off Grid Essentials) Wind Energy: Blown Away! (Powering Our World) Off Grid Home Building Essentials: A Comprehensive.

Solar and wind power novel



Assessment of structural stability and power performance for a novel

This study proposes a novel wind-solar-wave (WSW) co-generation system that integrates wind, solar, and wave energy technologies to enhance both power performance per unit ...

[Get Price](#)

A novel proposal of using solar panels mounted on wind turbines for

To increase power generation, the next generation wind turbines are focusing more on hybrid systems. There is always a demanding need for more efficient wind power generation systems.



[Get Price](#)



20 Renewable Energy Books That Will Change How You Think About ...

Renewable energy is transforming how we think about power, not just as a resource but as a lifeline for our planet and economy. As global urgency mounts, the books on this list illuminate ...

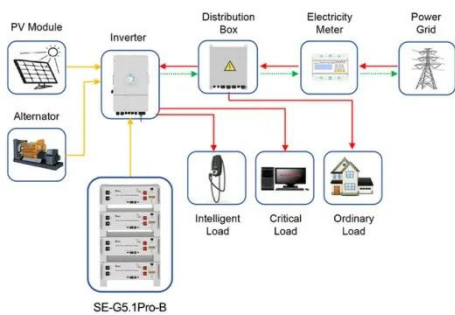
...

[Get Price](#)

15 Must-Read Energy Books 2026

This David Mackay's book is a fantastic introduction to renewable energy and energy efficiency, with a strong focus on solar power and wind turbines. David MacKay designed the book to ...

[Get Price](#)



Application scenarios of energy storage battery products

Solar and wind to lead growth of U.S. power generation for the next ...

In 2023, the U.S. electric power sector produced 4,017 billion kilowatthours (kWh) of electric power. Renewable sources--wind, solar, hydro, biomass, and geothermal--accounted for ...

[Get Price](#)

Watt's In A Book: 4 Energizing Reads on Renewable Power

Whether discussing the mechanics of a wind turbine or the science behind solar panels, Clark's writing is clear, concise, and highly engaging, and encourages young readers to think ...

[Get Price](#)



A review of hybrid renewable energy systems: Solar and wind ...



The integration of solar and wind power in HRES holds immense potential to reshape the global energy landscape. This review delves into the challenges, opportunities, and policy ...

[Get Price](#)

Bill McKibben touts cheap solar, wind power, technology in new book

The tool McKibben was talking about is affordable green energy technology, primarily sun and wind power, that can take us away from our reliance on fossil fuels.

[Get Price](#)



Amazon Best Sellers: Best Wind Energy

Off Grid Home Building Essentials: A Comprehensive Planning Handbook for House Options, Solar, Wind, Water, Heating and Cooling--Self-Sufficiency Projects for Off Grid Living!

[Get Price](#)

10 Best Renewable Energy Books This Year

Discover the best renewable energy

books covering solar, wind, hydro, and sustainable technologies. Learn how clean energy is shaping the future!

[Get Price](#)



Contact Us

For catalog requests, pricing, or partnerships, please visit:
<https://www.pienaarshof.co.za>

