

PIENAAR ENERGY (PTY) LTD

Rigid support photovoltaic

Lithium battery parameters

Product capacity: 100Ah

Product size: 135*197*35mm

Product weight: 1.82kg 197mm
/7.7in

Product voltage: 3.2V

internal resistance: within 0.5



Overview

It is a photovoltaic support system supported by suspension structure. The suspension structure consists of a series of tensioned cables as the main load-bearing components. These cables form various forms of systems according to certain laws and are suspended on the corresponding. This article addresses the technical, aesthetic, and strategic problem of the limited attention paid to design and selection of materials in photovoltaic system (PSS) support structures despite their direct impact on the efficiency, durability and economic viability of these systems. The EXTENSION 200 & EXTENSION 45 are components in the SOPRASOLAR FIX EVO TILT system (inclined rigid photovoltaic modules installed on top of a roof waterproofing membrane). The constant rise in the price of electric energy together with the decrease in the prices of the elements that comprise a photovoltaic installation is generating a direct increase in the. The flexible photovoltaic support originates from the roof of suspension structure and glass curtain wall. Therefore, flexible PV mounting systems have been developed.

Rigid support photovoltaic



Improvement of the flexible support photovoltaic module system: A ...

Abstract The flexible support photovoltaic module structure system has advantages such as large span, fast construction speed, and suitability for complex environments. However, this kind ...

[Get Price](#)

Comparative impacts of fixed vs. flexible photovoltaic

Fixed supports (rigid structures) and flexible supports (tensioned cable systems) are two main methods used in constructing photovoltaic power plants, and their construction technology has ...



[Get Price](#)



Flexible Mounting System

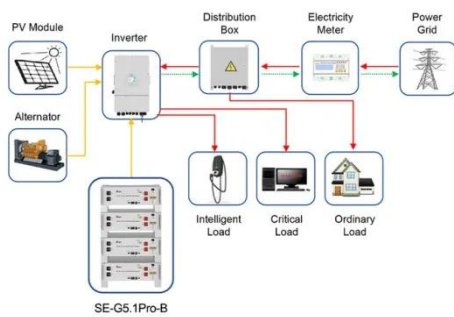
It is a photovoltaic support system supported by suspension structure. The suspension structure consists of a series of tensioned cables as the main load-bearing components.

[Get Price](#)

Static and Dynamic Response Analysis of Flexible Photovoltaic ...

These flexible PV supports, characterized by their heightened sensitivity to wind loading, necessitate a thorough analysis of their static and dynamic responses.

[Get Price](#)



Application scenarios of energy storage battery products

A review on conceptual design of support structures for floating solar

This paper reviews the conceptual design of support structures for floating solar power plants. The advantages of floating photovoltaic (PV) power plants are discussed, including the cooling effect of ...

[Get Price](#)

Hydrodynamic analysis of floating photovoltaic system

In this study, three types of single-rod rigid connector models with varying constraints are established through numerical simulation to explore the feasibility of applying single-rod rigid

[Get Price](#)



Advances in Mounting Structures for Photovoltaic Systems



Our research comprehensively analyzes the mechanical, environmental, and regulatory factors influencing material selection and structural design in PV mounting systems.

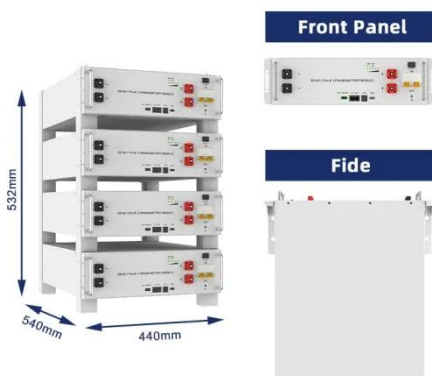
[Get Price](#)

GRP Solar Panel Mounting Structures

Tailored for renewable energy projects, our GRP solar panel mounting structures offer lightweight and durable support for solar panels.

[Get Price](#)

LFP12V100



Rigid PV panels mounting systems

The EXTENSION 200 & EXTENSION 45 are components in the SOPRASOLAR FIX EVO TILT system (inclined rigid photovoltaic modules installed on top of a roof waterproofing membrane).

[Get Price](#)

Structures and support profiles for photovoltaic modules

The support structures are the elements that allow the fixing of the modules on the roofs where the photovoltaic

installation must be housed, constituting a main element of the solution. Circutor offers a ...

[Get Price](#)



Contact Us

For catalog requests, pricing, or partnerships, please visit:
<https://www.pienaarshof.co.za>

