

PIENAAR ENERGY (PTY) LTD

Price of 20mwh photovoltaic energy storage cabinet



Overview

Let's cut through the noise - photovoltaic storage cabinets are rewriting energy economics faster than a Tesla hits 0-60. As of February 2025, prices now dance between ¥9,000 for residential setups and ¥266,000+ for industrial beasts. But here's the kicker: The real story lies in the 43% price drop. HBOWA PV energy storage systems offer multiple power and capacity options, with standard models available in 20KW 50KWh, 30KW 60KWh, and 50KW 107KWh configurations. You can add many battery modules according to your actual needs for customization. This energy storage cabinet is a PV energy storage. Wondering how much a modern energy storage charging cabinet costs?

This comprehensive guide breaks down pricing factors, industry benchmarks, and emerging trends for commercial and industrial buyers. It is a unified power supply platform system that supports various AC and DC input and output formats, meeting. As of 2025, prices range from \$0.86 per watt-hour (Wh) for utility-scale projects, while residential systems hover around \$1,000-\$1,500 per kWh [4] [6] [9]. But wait—why the wild variation?

Let's dive deeper.

Price of 20mwh photovoltaic energy storage cabinet



Integrated Outdoor Battery Energy Storage Cabinet

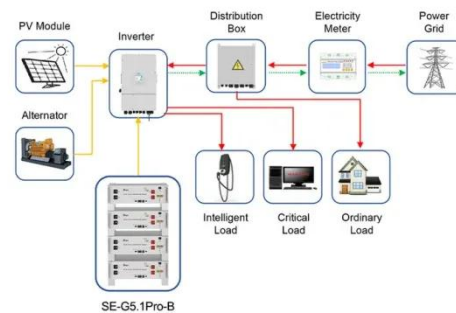
An integrated outdoor battery energy storage cabinet is a self-contained unit designed to store electrical energy in batteries for various applications, including renewable energy integration, ...

[Get Price](#)

Energy Storage Cabinet Outdoor 20KW 50KWh/ 30KW 60KWh

HBOWA PV energy storage systems offer multiple power and capacity options, with standard models available in 20KW 50KWh, 30KW 60KWh, and 50KW 107KWh configurations. You can add many ...

[Get Price](#)



Application scenarios of energy storage battery products

10KWh/ 20KWh/ 30KWh/40KWh Indoor Photovoltaic Energy Cabinet

The EK indoor photovoltaic energy storage cabinet series is an integrated photovoltaic energy storage device designed for communication base stations, smart cities and other

scenarios, providing a ...

[Get Price](#)



Latest Photovoltaic Energy Storage Cabinet Price Guide (2025 Update)

As of February 2025, prices now dance between ¥9,000 for residential setups and ¥266,000+ for industrial beasts. But here's the kicker: The real story lies in the 43% price drop since 2023, driven by ...

[Get Price](#)



Understanding the Price of Photovoltaic Energy Storage Stations: A ...

If you're considering a photovoltaic energy storage station, you're probably wondering: "What's the actual cost, and is it worth the investment?" Let's cut through the jargon and unpack this like a ...

[Get Price](#)



20KWh Outdoor Photovoltaic

Energy Cabinet

The 20KWh Outdoor Photovoltaic Energy Cabinet offers several benefits for commercial applications in the United States. It provides a reliable power supply with multiple energy access options, including ...

[Get Price](#)



20/30/50/100KWH High Voltage Cabinet Energy Storage Battery

Delivers over 6,000 cycles of reliable performance, featuring a cabinet-style stackable structure that saves space, simplifies installation and maintenance, and allows easy capacity expansion to match ...

[Get Price](#)

New Energy Storage Charging Cabinet Price List: 2024 Cost Guide

GLASHAUS POWER - Wondering how much a modern energy storage charging cabinet costs? This comprehensive guide breaks down pricing factors, industry benchmarks, and emerging trends for ...

[Get Price](#)



How much does an outdoor energy storage cabinet cost?



- ✓ 100KWH/215KWH
- ✓ LIQUID/AIR COOLING
- ✓ IP54/IP55
- ✓ BATTERY 6000 CYCLES

The primary determinant of an energy storage cabinet's cost is its storage capacity. As cabinets become more robust and provide advanced energy storage capabilities, prices can escalate

...

[Get Price](#)

Integrated Energy Storage Cabinet

The Cabinet offers flexible installation, built-in safety systems, intelligent control, and efficient operation. It features robust lithium iron phosphate (LiFePO4) batteries with scalable capacities, supporting on ...



[Get Price](#)

Contact Us

For catalog requests, pricing, or partnerships, please visit:
<https://www.pienaarshof.co.za>

