

PIENAAR ENERGY (PTY) LTD

Photovoltaic panel specification atlas



Overview

The Federal Energy Management Program (FEMP) provides this tool to federal agencies seeking to procure solar photovoltaic (PV) systems with a customizable set of technical specifications. Photovoltaic panel specification exploring solar potential by clicking on the map. The Global Solar Atlas provides a summary of solar potential suitable only for. Did you know 42% of commercial solar projects experience delays due to incorrect panel specifications?

As we approach Q4 procurement season, installers face mounting pressure to compare hundreds of PV modules from 57 manufacturers worldwide. The 2024 Gartner Emerging Tech Report warns that. Visit [USA](#). government is responding to Winter Storm Fern. These solar maps provide average daily total solar radiation. Solar panel size does not change.

Photovoltaic panel specification atlas



Photovoltaic panel design and installation atlas

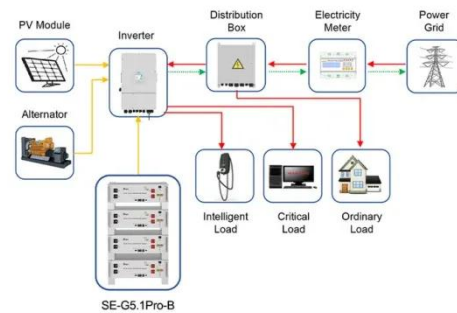
In the photovoltaic (PV) solar power plant projects, PV solar panel (SP) support structure is one of the main elements and limited numerical studies exist on PVSP ground

[Get Price](#)

Technical Specifications for On-site Solar Photovoltaic Systems

Customizable template for federal government agencies seeking the construction of one or more on-site solar PV systems.

[Get Price](#)



Application scenarios of energy storage battery products



PV Panel Specifications: Understanding Solar Panel Technical ...

When you look at a solar panel specification sheet, you see lots of numbers and facts. These sheets help you learn how panels work and what makes each one special.

[Get Price](#)

Solar Photovoltaic: SPECIFICATION, CHECKLIST AND GUIDE

To assist in evaluating each home, EPA has developed an online Renewable Energy Ready Home Solar Site Assessment Tool (RERH SSAT), which compares the solar resource potential of a proposed ...

[Get Price](#)

Highvoltage Battery



Photovoltaic panel specification atlas download

The most important solar panel specifications include the short-circuit current, the open-circuit voltage, the output voltage, current, and rated power at 1,000 W/m² solar radiation, all

[Get Price](#)

26 photovoltaic panel size atlas

To calculate the KWp (kilowatt-peak) of a solar panel system, you need to determine the total solar panel area and the solar panel yield, expressed as a percentage.

[Get Price](#)



Why Every Solar Professional Needs a Photovoltaic Panel ...

Did you know 42% of commercial solar projects experience delays due to

incorrect panel specifications? As we approach Q4 procurement season, installers face mounting pressure to ...

[Get Price](#)



Global Solar Atlas

The Global Solar Atlas provides a summary of solar power potential and solar resources globally.

[Get Price](#)



Photovoltaic bracket standards and atlas specifications

The Federal Energy Management Program (FEMP) provides this tool to federal agencies seeking to procure solar photovoltaic (PV) systems with a customizable set of technical specifications.

[Get Price](#)

Solar Photovoltaic: SPECIFICATION, CHECKLIST AND GUIDE

About the Renewable Energy Ready

Home Specifications Assumptions of the RERH Solar Photovoltaic Specification Builder and Specification Limitations

- 1.5 Document the solar resource potential at the designated array location
- 3.3 Install a conduit for the AC wire run from the designated inverter location to the electric service panel
- 4.2 Record the name and Web address of the electric utility service provider
- 5.1 Landscape Plan
- 5.2 Placement of non-array roof penetrations and structural building elements

Appendix A: RERH Labeling Guidance

The Renewable Energy Ready Home (RERH) specifications were developed by the U.S. Environmental Protection Agency (EPA) to assist builders in designing and constructing homes equipped with a set of features that make the installation of solar energy systems after the completion of the home's construction easier and less expensive. The specifications See more on Missing: atlas Must include: atlas Global Solar Atlas



Global Solar Atlas

The Global Solar Atlas provides a summary of solar power potential and solar resources globally.

[Get Price](#)

Contact Us

For catalog requests, pricing, or partnerships, please visit:
<https://www.pienaarshof.co.za>

