

PIENAAR ENERGY (PTY) LTD

Photovoltaic panel design fee



18650 CELL



18650 Battery Pack 2S1P



18650 Battery Pack
4S1P



Photovoltaic panel design fee



Solar Installed System Cost Analysis , Solar Market Research

NLR analyzes the total costs associated with installing photovoltaic (PV) systems for residential rooftop, commercial rooftop, and utility-scale ground-mount systems.

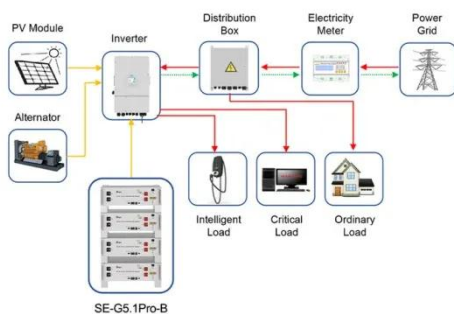
[Get Price](#)

Demystifying Design Fees for Photovoltaic Panels: What You're ...

In this guide, we'll unpack why design fees matter, what factors influence costs, and how to avoid overpaying--with real-world examples to keep things grounded.



[Get Price](#)



Application scenarios of energy storage battery products

Solar Photovoltaic System Cost Benchmarks

Market analysts routinely monitor and report the average cost of PV systems and components, but more detail is needed to understand the impact of recent and future technology developments on cost.

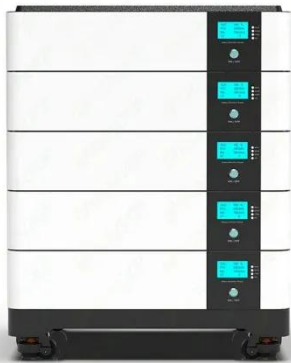
[Get Price](#)

Photovoltaic Solar Panel Construction Costs: A Comprehensive Guide ...

Summary: This guide breaks down photovoltaic solar panel construction costs, explores key factors influencing pricing, and reveals proven strategies to optimize your solar energy projects.



[Get Price](#)



See how much it will cost to install solar panels for your home

Solar panel cost by state January, 2026
Click on your state for solar panels cost localized to your city or use the solar calculator above to see the live prices from solar providers near you.

[Get Price](#)

How Much Does Solar Panel Installation Cost? [2026 Data]

Installing solar panels costs \$2.50 to \$3.50 per watt and can increase your home's value, making it more appealing to future buyers. Always check for available incentives or tax credits, which

...



[Get Price](#)

Solar Panel Cost Breakdown

Find out the cost of solar panels, including installation and maintenance. Get insights into pricing and savings for switching to solar energy.

[Get Price](#)



Solar Panel Drafting and Design: All You Need to Know About Rates ...

On average, solar panel installation cost ranges from \$15,000 to \$25,000. Besides the location, the price is also affected by electricity requirements, panel type, size, and installation system.

[Get Price](#)



U.S. Residential Solar Design Services , ACS Solar Experts

Contact us directly for discounted pricing on one-time and ongoing solar projects. We'll provide a quick quote and help you get started fast. Do you design for both string and microinverter systems? Yes -- ...

[Get Price](#)

Solar Panel System Design , SunWatts

Receive a custom prepared design for a solar panel system prepared by an experienced technician. This personalized solar design helps you to make an informed, unbiased decision to find ...

[Get Price](#)



Contact Us

For catalog requests, pricing, or partnerships, please visit:
<https://www.pienaarshof.co.za>

