

PIENAAR ENERGY (PTY) LTD

Photovoltaic panel cleaning issues



Overview

Panel cleaning is usually performed during the day, and applying cold water to hot glass creates thermal stress, which may cause your panels to crack. This is a risk that system owners are often forced to take, as most technicians are not available for cleaning services at. Proper solar panel maintenance begins with regularly monitoring your system's output. While many homeowners enjoy watching their energy bill savings increase alongside solar electricity production, monitoring your solar system can be a daily or weekly routine to ensure everything is working as. These materials are gentle on the panels and can be cleaned effectively without causing scratches. Microfiber cloths, in particular, are excellent as they can trap dust and dirt without the need for excessive scrubbing. Have no fear: Automated cleaning systems offer a safe, efficient, and low-impact way to keep your panels clean, which optimizes production and ensures that you get the most from your solar system. Keeping those panels spotless isn't just about aesthetics—it's about protecting your investment and maximizing your renewable energy output. You've got several cleaning options at your.

Photovoltaic panel cleaning issues



5 Common Mistakes to Avoid When Cleaning Solar Panels

Learn about proper cleaning solutions, best times to clean, correct techniques, and essential safety measures.

[Get Price](#)

Step-by-step guide to cleaning solar panels

Keep your solar panels producing efficiently with this step-by-step cleaning guide, including tools, timing, safety, and when to hire a professional.

[Get Price](#)



Home Solar Panel Cleaning Tips and Checklist

Home Solar Panel Cleaning Tips & Checklist Why cleaning your home solar panels matters If you have ever asked, "Does cleaning your solar panels make a difference?" The answer is yes. This one ...

[Get Price](#)



7 Solar Panel Cleaning

Methods That Dramatically Boost Efficiency

Discover 10 effective solar panel cleaning methods to boost energy production by up to 25%. Learn DIY vs. professional approaches and seasonal maintenance tips for optimal performance. Solar panels ...

[Get Price](#)



How Do You Clean Solar Panels? A Complete Guide for Homeowners

To keep your system performing at its best, solar panels need occasional cleaning and basic upkeep. In this guide, we'll cover how to clean solar panels safely and effectively, how often ...

[Get Price](#)

Solar Panel Cleaning and Maintenance Tips

In this article, we'll discuss the best practices for solar panel cleaning and maintenance, covering everything from safety precautions to specialized cleaning techniques tailored to different ...

[Get Price](#)



The Most Common Solar Panel Cleaning Mistakes and How to Fix Them

Learn common solar panel cleaning mistakes and how to avoid them. Follow these tips to keep your panels clean, efficient, and in top condition.

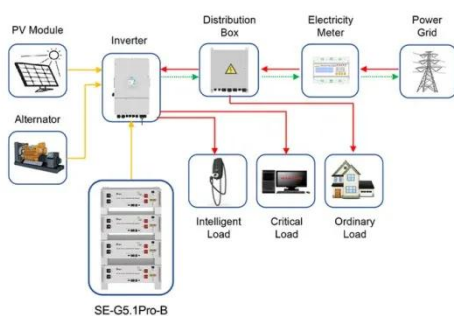
[Get Price](#)



Solar panel cleaning and maintenance: A guide for optimal

In this guide for homeowners with solar power systems, we detail everything to know about solar panel cleaning and maintenance to maximize your clean electricity production and energy bill ...

[Get Price](#)



Application scenarios of energy storage battery products

Solar Panel Cleaning Safely: Step-by-Step Guide to Avoid Damage

The quick answer: Clean solar panels using soft-bristled brushes, mild soap, and low-pressure water. Avoid pressure washers, abrasive tools, and harsh chemicals. This guide is for solar panel owners ...

[Get Price](#)

The Hidden Hazards of Solar Panel Cleaning (and How to

Avoid Them)

Solar has a dirty little secret: Your panels could be producing 30% more energy. We break down how to clean your panels - the right way - to safely and efficiently maximize your solar system's ROI.

[Get Price](#)



Contact Us

For catalog requests, pricing, or partnerships, please visit:
<https://www.pienaarshof.co.za>

