

PIENAAR ENERGY (PTY) LTD

Photovoltaic panel adjustment mechanism



 LFP 12V 200Ah



Overview

Manual adjustable mounts allow seasonal changes, while fixed-tilt systems optimize angles based on latitude. For more precise control, single-axis trackers follow the sun's daily path, and dual-axis trackers offer maximum efficiency by adjusting both horizontally and vertically. Tilting solar panels can increase their output, so they become more efficient. This is where motorized solar panels come. In a solar photovoltaic power system, each panel should ideally track the sun during the day to obtain the maximum possible energy. Orientation towards the sun, 3. The angle at which solar panels are installed significantly influences their efficiency in. The optimal tilt angle for solar panels is essential for maximizing energy production, with a general recommendation of approximately 26° for peak efficiency, along with seasonal adjustments to enhance performance. The article supports this by providing formulas for determining the optimal angle.

Photovoltaic panel adjustment mechanism



Premium Solar Panel Adjustable Mounting Brackets

Discover high-performance solar panel adjustable mounting brackets designed for optimal energy capture. Features precision angle adjustment, universal compatibility, and enhanced weather ...

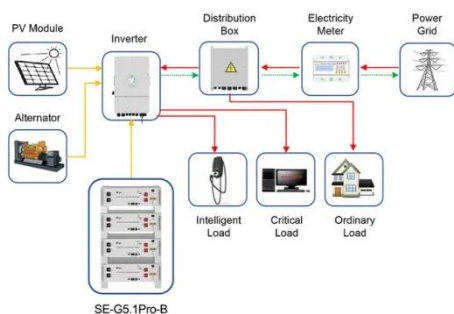
[Get Price](#)

Angle-adjustable Solar Panel Tilt Mounting Brackets

Adjustable solar panel tilt mounts come in manual, motorized, and tracking varieties. Single-axis trackers are a popular choice for large solar farms, while dual-axis options suit ...



[Get Price](#)



Application scenarios of energy storage battery products

How to Determine the Optimal Tilt Angle for Solar Panels: A Step-by

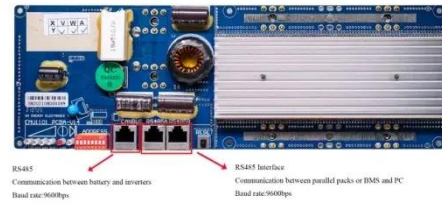
To adjust the optimal tilt angle for solar panels, follow these steps: Measure your current tilt measurement. Calculate the optimal tilt angle for solar panels using the formula. Use a tilt ...

[Get Price](#)

Solar Panel Tilting Mechanism (Motorized Kits + Diy)

A solar panel tilt kit is a kit you can use to make your solar panels capable of tilting so that they can increase their efficiency. A motorized version of this kit puts the tilting system on a motor so ...

[Get Price](#)



What Techniques Adjust Solar Panel Angles Effectively?

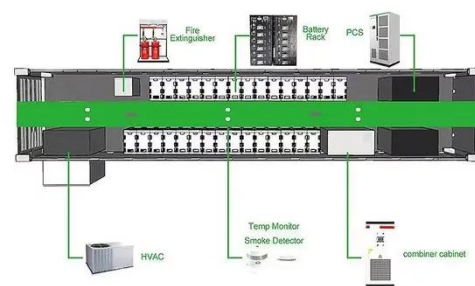
You can adjust solar panel angles effectively using various techniques. Manual adjustable mounts allow seasonal changes, while fixed-tilt systems optimize angles based on latitude.

[Get Price](#)

How To Align Solar Panels?

Solar panels should face directly into the sun to optimize their output. This article explains how to find the right tilt and azimuth angle to get the most production out of your array.

[Get Price](#)



How to adjust photovoltaic solar panels , NenPower

Adapting photovoltaic solar panels requires consideration of multiple



elements, including adjustments in angle and orientation, responsiveness to seasonal changes, and diligent maintenance ...

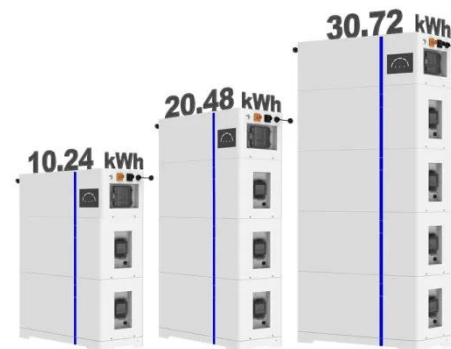
[Get Price](#)

Maximize Solar Power Through Adjustable Solar Panel ...

Maximize solar power with adjustable solar panel mounts. Learn how orientation and tilt impact efficiency and get tips for optimal placement.

[Get Price](#)

ESS



Photovoltaic panel angle adjustment mechanism

Why is the tilt angle of solar panels important? Radiation that reaches the surface of the panel. Photovoltaic (PV) performance and efficiency are highly affected by its angle. How do you calculate the tilt angle of ...

[Get Price](#)



What tilt mechanisms adjust solar panel angles? - no73

To maximize energy production, tilt mechanisms are used to adjust the angle

of solar panels throughout the year. These adjustments ensure the panels receive optimal sunlight based on seasonal changes, ...

[Get Price](#)



Contact Us

For catalog requests, pricing, or partnerships, please visit:
<https://www.pienaarshof.co.za>

