

PIENAAR ENERGY (PTY) LTD

Photovoltaic energy storage energy management specifications



Overview

National Renewable Energy Laboratory, Sandia National Laboratory, SunSpec Alliance, and the SunShot National Laboratory Multiyear Partnership (SuNLaMP) PV O&M Best Practices Working Group. Best Practices for Operation and Maintenance of Photovoltaic and Energy Storage. This report is available at no cost from the National Renewable Energy Laboratory (NREL) at [www. Department of Energy \(DOE\) Federal Energy Management Program \(FEMP\)](http://www.energy.gov) and others can employ to evaluate performance of deployed BESS or solar photovoltaic (PV) +BESS systems. The ability to store energy for later use. ESS not only addresses solar intermittency, but also enhances grid resilience by actively managing mismatches between electricity supply and demand. As part of the Energy Storage, Singapore has put forth a target to deploy 200 megawatts of ESS beyond 2025 to support. Energy management systems (EMSs) are required to utilize energy storage effectively and safely as a flexible grid asset that can provide multiple grid services. An EMS needs to be able to accommodate a variety of use cases and regulatory environments. Topics in this guide include factors to consider when designing a solar+storage system, sizing a battery system, and safety and environmental considerations, as well as how to value and finance solar+storage. The guide is organized around 12 topic area questions.

Photovoltaic energy storage energy management specifications



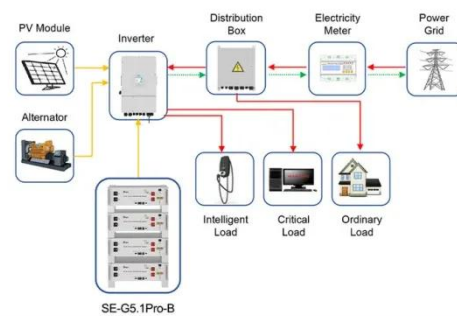
Battery Energy Storage System Evaluation Method

This report describes development of an effort to assess Battery Energy Storage System (BESS) performance that the U.S. Department of Energy (DOE) Federal Energy Management Program ...

[Get Price](#)

SPECIFICATIONS-230KAir Cooling Energy Storage System

Application Scenario This product is specially designed for high-reliability energy scenes, which can cooperate with photovoltaic energy storage system composed of energy storage products, ...



Application scenarios of energy storage battery products

[Get Price](#)



HANDBOOK FOR ENERGY STORAGE SYSTEMS

Pumped Hydro Energy Storage, which pumps large amount of water to a higher-level reservoir, storing as potential energy, is more suitable for applications where energy is required for sustained periods.

[Get Price](#)

BATTERY ENERGY STORAGE SYSTEMS

The Energy Management System uses and controls all the energy resources (solar, wind, load, grid, BESS, EV charger) to optimize the energy consumption. An illustrative overview of those ...

[Get Price](#)



Chapter 15 Energy Storage Management Systems

Energy management systems (EMSs) are required to utilize energy storage effectively and safely as a flexible grid asset that can provide multiple grid services. An EMS needs to be able to accommodate ...

[Get Price](#)

Best Practices for Operation and Maintenance of Photovoltaic ...

Energy storage systems are discussed in the context of dependencies, including relevant technologies, system topologies, and approaches to energy storage management systems.

[Get Price](#)



Energy storage and management system design optimization for a



This study can provide references for the optimum energy management of PV-BES systems in low-energy buildings and guide the renewable energy and energy storage system design ...

[Get Price](#)

Energy Management Strategy for Photovoltaic-Energy Storage Mobile

The PV-ES-MCS establishes a charging service framework that simultaneously achieves low-carbon environmental benefits and operational flexibility. Furthermore, an energy management ...



[Get Price](#)

Understanding Solar Storage

SELF-CONSUMPTION: When a battery or other type of energy management system is used to maximize the amount of solar energy directly consumed onsite and minimize the amount of solar ...

[Get Price](#)

Energy storage system technical specifications

The Federal Energy Management Program (FEMP) provides this tool to



federal agencies seeking to procure solar photovoltaic (PV) systems with a customizable set of technical specifications.

[Get Price](#)



Contact Us

For catalog requests, pricing, or partnerships, please visit:
<https://www.pienaarshof.co.za>

