

PIENAAR ENERGY (PTY) LTD

Philippines Cebu Lead Battery Energy Storage Company



Philippines Cebu Lead Battery Energy Storage Company



MGEN to Build 49MW Battery Energy Storage Facility in Cebu

Pasig City, Philippines -- 21 July 2025 - Meralco PowerGen Corporation (MGEN) is set to develop a 49-megawatt (MW) Battery Energy Storage System (BESS) in Toledo, Cebu as part of its ...

[Get Price](#)

MGEN Cebu battery energy storage system phase 1 done by 2026

A MGEN facility that can store at least 49-megawatt of renewable energy is now undergoing construction in Toledo City, Cebu.

[Get Price](#)



MGEN taps CATL, SUMEC for 49 MW Cebu battery storage project

MGEN taps CATL and SUMEC for a 49-MW battery energy storage project in Toledo, Cebu, with 25 MW due by Q2 2026 and full capacity targeted by 2027.

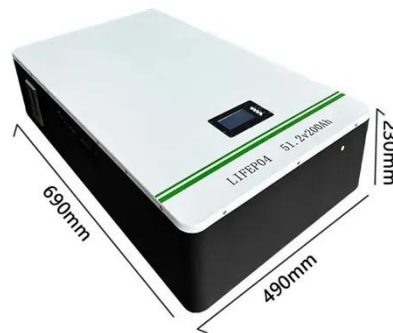
[Get Price](#)

MGen to build 49-MW battery

energy storage in Cebu

MERALCO POWERGEN CORP. (MGen), the power generation arm of Manila Electric Co. (Meralco), is set to develop a 49-megawatt (MW) battery ...

[Get Price](#)



MGen inks Cebu battery storage contract

MERALCO PowerGen Corp. (MGen), through subsidiary Toledo Energy Development Corp., has signed an engineering, procurement and construction contract with two Chinese companies for the ...

[Get Price](#)

Meralco PowerGen Builds Major Battery Storage in Cebu to Boost ...

Meralco PowerGen leads clean energy innovation with a 49-MW battery project designed to balance Cebu's growing electricity needs.

[Get Price](#)



MGen targets 2027 for Cebu storage facility

Meralco PowerGen Corp. (MGen) is set to

roll out a 49 MW battery energy storage system (BESS) in Toledo, Cebu, with 25 MW to be delivered by 2026. The project aims to support grid ...



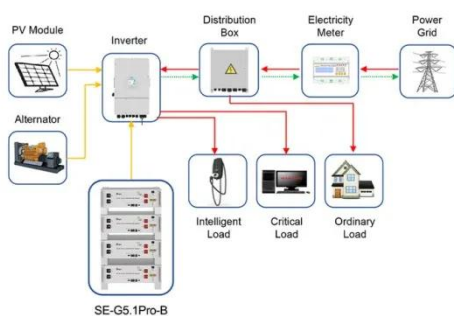
[Get Price](#)

Meralco unit, Chinese firms starts construction of 49-MW battery

Meralco PowerGen Corporation (MGEN), through unit Toledo Energy Development Corp., will begin construction and installation of the first phase of a 49-megawatt (MW) battery ...



[Get Price](#)



Application scenarios of energy storage battery products

Meralco PowerGen targets completion of Cebu battery storage project ...

Meralco PowerGen Corporation (MGEN) is on track to complete the first phase of its Battery Energy Storage System (BESS) project in Toledo, Cebu by 2026, with full operations ...

[Get Price](#)

Contact Us

For catalog requests, pricing, or partnerships, please visit:
<https://www.pienaarshof.co.za>

