

**PIENAAR ENERGY (PTY) LTD**

# **On-grid and off-grid inverter three-phase**



## On-grid and off-grid inverter three-phase

---



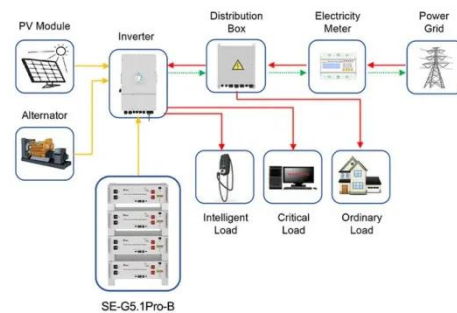
### On/Off Grid Hybrid Solar Inverter

ON/OFF GRID HYBRID SOLAR INVERTER 5~12KW , Three Phase , 380VAC PH1100 EU is brand new three phase hybrid inverter with low battery voltage 48V, ensuring system safe and reliable. With ...

[Get Price](#)

### On-Grid vs Off-Grid Inverters: Key Differences Explained

Learn the key differences between on-grid and off-grid inverters, including design, autonomy, scalability, and compliance to choose the right solar solution.



Application scenarios of energy storage battery products

[Get Price](#)



### Best Off-Grid Solar Inverters: 3kW & 3-Phase Solutions for

In remote locations or areas with unstable grid access, a reliable off-grid solar system is not just a convenience--it's a necessity. At the heart of every high-performance off-grid setup lies a quality solar ...

[Get Price](#)

## Seamless Switching of Three-phase Inverters Grid-connected and Off-grid

In the microgrid, virtual synchronous generator (VSG) can mimic the external characteristics of synchronous generator to improve the grid-connection capability of microgrid, which has become a hot spot ...

[Get Price](#)



## Best 3 Phase Off-Grid Solar Inverters for Reliable Power

Choosing the best 3 phase off-grid solar inverter is crucial for ensuring stable and efficient power supply in homes or commercial setups without grid connection. These inverters convert DC power from solar ...

[Get Price](#)

## A Unified Control Design of Three Phase Inverters Suitable for ...

This article proposes a unified control framework for voltage source inverters (VSIs) operating in both grid-forming and grid-following modes, integrating current, voltage, and power control loops with

[Get Price](#)



## Inverter Technologies: Compare Off-Grid, On-Grid, and



## Hybrid ...

Inverter technology plays a critical role in modern solar power systems. It converts the direct current (DC) generated by solar panels into alternating current (AC) used by electrical devices. Solar inverters come in ...

[Get Price](#)

---

## Three Phase High Voltage Hybrid Solar Inverter

A three-phase high-voltage hybrid power inverter delivers multi-MW per unit, reducing BOS hardware and cabling for faster centralized deployment. Direct 10kV+ grid connection boosts efficiency and strengthens grid support.



[Get Price](#)



## Best Off-Grid Three-Phase Solar Inverters for Reliable Power

Buying Guide: Off-Grid Three-Phase Inverter Purchase Considerations System voltage and phase compatibility: Confirm whether your installation is 120V, 240V split-phase, or true 208/three-phase. Choose ...

[Get Price](#)

---

## Contact Us

For catalog requests, pricing, or partnerships, please visit:  
<https://www.pienaarshof.co.za>

