

**PIENAAR ENERGY (PTY) LTD**

# **Nepal New Energy Storage Power Station**



*Positive*



*Back*



## Nepal New Energy Storage Power Station

---



### Pump water, store energy , Nepali Times

The benefits of a PSH approach to hydro development are multiple. Nepal has a plethora of heights where water storage ponds can be situated. Many existing hydropower plants of both the ...

[Get Price](#)

---

### NEA Will Construct Pump Storage Hydropower Project On Priority Basis

The Nepal Electricity Authority is prioritizing the construction of pumped storage hydropower projects to address fluctuations in electricity demand at different times of the day and ...



[Get Price](#)

---



### NEA Prioritizes Pumped Storage Hydropower for Energy Security

Kathmandu, Ma- The Nepal Electricity Authority (NEA) has prioritized the development of pumped storage hydropower projects to manage daily fluctuations in electricity demand and enhance ...

[Get Price](#)

---

## NEA prioritizes pumped storage project for energy security

These projects play a crucial role in power system stability, peak demand management, and surplus energy utilization. They also enable Nepal to generate and consume electricity efficiently ...

[Get Price](#)



## Nepal Himalaya offers considerable potential for pumped storage

In this study, we assess the potential of pumped storage hydropower across Nepal, a central Himalayan country, under multiple configurations by pairing lakes, rivers, and available flat ...

[Get Price](#)

## List of power stations in Nepal

As of 4 March 2025, Nepal's total installed electricity capacity is 3421.956 megawatts (MW). This includes 3255.806 MW from hydropower, 106.74 MW from solar, 53.41 MW from thermal, and 6 MW ...

[Get Price](#)



## NEA Will Construct Pump Storage Hydropower ...

The Nepal Electricity Authority is prioritizing the construction ...

[Get Price](#)



## NEPAL BUILDS ENERGY STORAGE POWER STATION

NEPAL BUILDS ENERGY STORAGE POWER STATION. Our certified energy specialists provide round-the-clock monitoring and support for all installed home energy storage systems.

[Get Price](#)



## Nepal's Largest Battery Storage Project is Here

This pioneering project is set to transform industrial energy use by replacing polluting diesel generators with a large-scale battery storage system powered by solar energy.

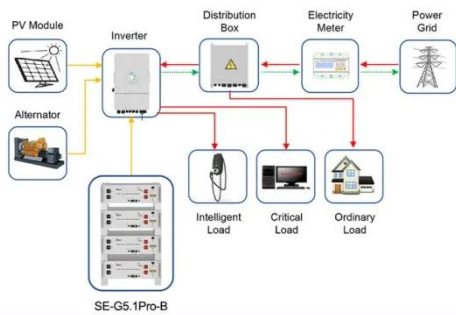
[Get Price](#)



## List of power stations in Nepal

As of 4 March 2025, Nepal's total installed electricity capacity is ...

[Get Price](#)



Application scenarios of energy storage battery products

## Nepal Energy Storage Base: Solving Power Crisis Through

...

The 146MW Tanahu project isn't your grandpa's pumped storage. Its AI-powered turbines predict rainfall patterns using Himalayan glacier melt data, achieving 89% round-trip efficiency.

[Get Price](#)

## Nepal's third storage-type project expected to be completed by May ...

The 140-megawatt Tanahu hydropower project in the Tanahun district has achieved 63 percent physical progress, raising hopes of power production by its stipulated completion deadline of ...

[Get Price](#)



51.2V 150AH, 7.68KWH

**Contact Us**

For catalog requests, pricing, or partnerships, please visit:  
<https://www.pienaarshof.co.za>

