

PIENAAR ENERGY (PTY) LTD

Microgrid Project Interview Questions



Microgrid Project Interview Questions



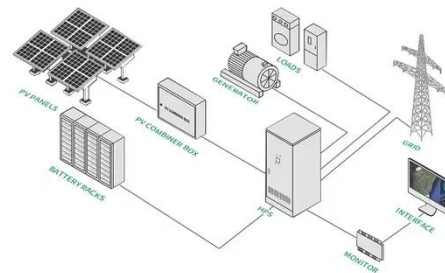
Interview Questions for Smart Grid and Microgrid Systems

Ace your Smart Grid & Microgrid Systems interview! Prepare with our expert-curated questions covering power systems, renewable integration, and grid modernization. Land your dream ...

[Get Price](#)

Interview Questions for Microgrid Development

Ace your microgrid interview! Prepare with our expert guide covering 28 key questions on microgrid design, operation, and technology. Land your dream microgrid job today!



[Get Price](#)



Interview Questions for Microgrids and Distributed Energy

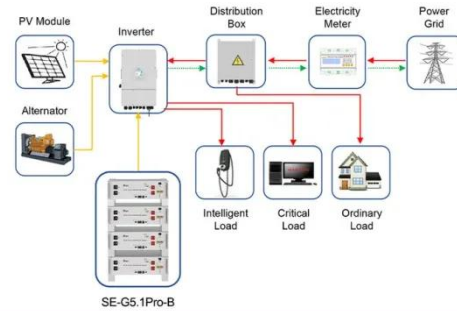
Ace your Microgrid & Distributed Energy interview! Prepare with our expert-curated questions covering key concepts & practical applications. Land your dream job!

[Get Price](#)

Interview Questions for Microgrid Design and Implementation

The thought of an interview can be nerve-wracking, but the right preparation can make all the difference. Explore this comprehensive guide to Microgrid Design and Implementation interview ...

[Get Price](#)



Application scenarios of energy storage battery products



RS485
Communication between battery and inverter
Baud rate:9600bps.

RS485 Interface
Communication between parallel packs or BMS and PC
Baud rate:9600bps.

Pre-screening interview questions to ask for Microgrid Engineer

Whether it's ensuring reliability or integrating renewable sources, the interview questions you ask can make a huge difference. Below, we've detailed essential questions to ask potential ...

[Get Price](#)

Contact Us

For catalog requests, pricing, or partnerships, please visit:
<https://www.pienaarshof.co.za>

