

PIENAAR ENERGY (PTY) LTD

Micro hydroelectric solar battery cabinet



Micro hydroelectric solar battery cabinet



Battery Enclosures & Cabinets

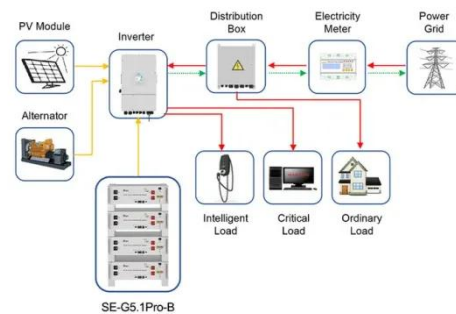
This product is perhaps more commonly called a "solar battery box" but is also referred to as a "pole mount battery box". Some battery boxes are large enough to be considered battery cabinets and are ...

[Get Price](#)

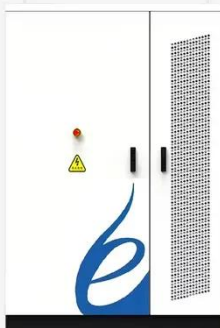
Micro Hydro Power

They are ideal for battery-based or small intertie systems. Our user-friendly units require no mechanical or electrical adjustments, because they are built to match each individual site.

[Get Price](#)



Application scenarios of energy storage battery products



Microhydropower Systems , Department of Energy

If you have water flowing through your property, you might consider building a small hydropower system to generate electricity. Microhydropower systems usually generate up to 100 kilowatts of electricity.

[Get Price](#)

Innovative Micro-Hydro Storage for Home Energy Systems

Constructing your own micro-hydro storage system can be a rewarding DIY project that'll enhance your home's energy independence. To begin, you'll need to select an appropriate location ...

[Get Price](#)



Micro-Hydro Power: A Beginners Guide to Design and Installation

Micro-hydro systems can supply electrical energy at a cost that often is less than running a generator or extending power lines to a property. Micro-hydro systems should be considered similar to other ...

[Get Price](#)

Micro Grid Energy Storage, Energy Cabinet, Container Energy ...

Huijue's BESS are designed to be highly scalable, catering to a wide range of industrial and commercial requirements. The modular design allows for easy expansion, enabling customers to start small and ...

[Get Price](#)



Micro-Hydro Power



Backwoods Solar offers the best in off-grid micro-hydro power systems and accessories. Browse our selection of micro-hydro turbines, hydro generators, and micro-hydro equipment.

[Get Price](#)

Home Solar Energy Storage Cabinet-Style Systems

Maximize solar energy usage, reduce energy bills, and ensure reliable backup power. Discover advanced inverters, customizable battery capacities, and remote monitoring options with HighJoule.



[Get Price](#)



Micro-Hydro Power: A Beginners Guide to Design and Installation

AbstractIntroductionDetermining The Hydro Potential of Your SiteEnvironmental ImpactRegulatory IssuesEquipmentEconomicsFinancial AssistanceCautions and Suggestions For The Do-It-YourselferConclusionFarm hydropower projects have existed for many years, from waterwheels used for grinding grain and forging to modern hydroelectric turbines designed to run compressors and motors. Micro-hydro systems -- those that produce less than

100 kilowatts of electricity -- can offer a sustainable and continuous source of renewable energy on far...See more on attra.ncat-j-net.cn

Micro Grid Energy Storage, Energy Cabinet, Container Energy ...

Huijue's BESS are designed to be highly scalable, catering to a wide range of industrial and commercial requirements. The modular design allows for easy expansion, enabling customers to start small and ...

[Get Price](#)

Solar Battery Storage Cabinet

The LZY solar battery storage cabinet is a tailor-made energy storage device for storing electricity generated through solar systems. They assure perfect energy management to continue power ...



[Get Price](#)



Energy Storage Cabinet, energy storage system, New Energy ...

Huijue Group's Mobile Solar Container offers a compact, transportable solar power system with integrated panels, battery storage, and smart management, providing reliable clean energy for off ...

[Get Price](#)

Contact Us

For catalog requests, pricing, or partnerships, please visit:
<https://www.pienaarshof.co.za>

