

PIENAAR ENERGY (PTY) LTD

Market Price of 80kWh Photovoltaic IP54 Outdoor Cabinet



Overview

Standardized modular design allows for parallel connection of multiple units, enabling easy expansion to MWh-level capacity. Utilizes high-performance 314Ah LiFePO₄ cells, with a single cabinet capacity of up to 64kWh, ensuring reliable power for extended periods. Hefei Pinergy Solar Technology Co.,Ltd was established in 2016, a professional and leading manufacturer of quality solar modules. PNG SOLAR is located in Hefei City, Anhui Province, which is one of the main production bases of the photovoltaic industry in the world. Jinko, JA, GCL, Sungrow and BYD. Rated Output Power: 20kW/30KW/50KW Rated Energy: 51.2 kWh/ 60 kWh/107 kWh Cooling Way: air cooling Warranty: 60-month warranty from the delivery date Certifications: CE, FCC, UN38.3, UN3480, ISO Datasheet Info Collection Form HBOWA PV energy storage systems offer multiple power and capacity. Get samples of \$!US\$ 16500/Piece Company Info. Continuous Charging and Discharging SR series of small-scale optical storage integrated outdoor cabinet energy storage system adopts modular design, featuring easy integration, easy deployment, easy expansion, etc., which. Other countries in Southeast Asia: Policies continue to be introduced, which is good for the development of photovoltaic energy The EGBatt 400V 200Ah LiFePo₄ Lithium battery 80kwh HV ESS is a high-performance energy storage system that offers reliable and efficient Looking for updated photovoltaic. This is a working principle diagram of a solar energy storage system, showing the process from solar power generation to energy storage, use and grid connection. optimizing battery performance and.

Market Price of 80kWh Photovoltaic IP54 Outdoor Cabinet



Energy Storage Cabinet Outdoor 20KW 50KWh/ 30KW 60KWh

HBOWA PV energy storage systems offer multiple power and capacity options, with standard models available in 20KW 50KWh, 30KW 60KWh, and 50KW 107KWh configurations. You can add many ...

[Get Price](#)

Outdoor Cabinet Ess Energy Storage System 50kWh 75kWh 80kWh ...

Q1.What is the solar integrated cabinet system? A: The integrated module integrates photovoltaic power generation, energy storage battery, smart inverter and energy management (EMS), which is suitable ...



[Get Price](#)

80kwh 82kwh High Voltage ESS Outdoor Rack Mounted 10.24Kwh ...

The business covers the R& D, production and sales of PV modules, residential, commercial and large scale solar plants. We supply turn-key service



for domestic customers and all the materials for ...

[Get Price](#)

Sunrange Lithium Battery Outdoor Cabinet Energy Storage System ...

We're an emerging brand in the photovoltaic industry. Sunranger's customers are located on all continents. We provide the highest quality products and the most professional services.

[Get Price](#)



Sunpal Solar Battery Storage Container 50kw 60kw 80kwh 150kwh ...

We deliver the world's most complete and cost-effective solar PV solutions. Our in-house engineering and product development ensure that every solar PV system manufactured complies with ...

[Get Price](#)



VoltaNest 40KW 80kWh Ip54 LiFePO4 Air Cooling off Grid

Solar ...

Product name:All-In-One C & I PV ESS Cabinet;Energy Configuration:40kVA,80.38kWh;Cycle Life: ≥ 8000 ;Operating Temperature Range:Charge $-20\sim 55^{\circ}$;Discharge $0\sim 55^{\circ}$;Number of ...

[Get Price](#)



Sunrange 107kwh 80kwh Lithium Battery Energy Storage High ...

Sunrange 107kwh 80kwh Lithium Battery Energy Storage High-Performance Solar Energy Cabinet

[Get Price](#)

VoltaNest Outdoor 40KW 80kWh LiFePO4 Hybrid Grid Solar Energy ...

VoltaNest Outdoor 40KW 80kWh LiFePO4 Hybrid Grid Solar Energy System Industrial All in One C & I PV ESS Cabinet with Inverter

[Get Price](#)

Our Lifepo4 batteries can be connected in parallels and in series for larger capacity and voltage.

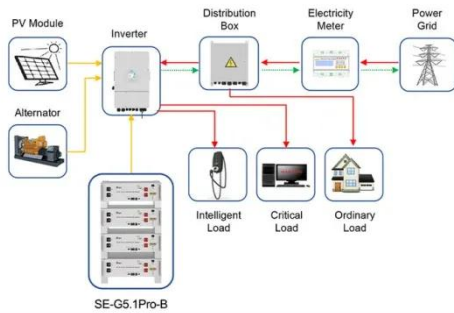


All in One 80kwh LiFePO4 Battery Solar Cabinet Industrial

Reasonable market price and perfect after-sales service, Yangde Electric has

won the trust Of customers at home and abroad and won a broad market at home and abroad.

[Get Price](#)



Application scenarios of energy storage battery products

Price comparison of 80kwh cabine photovoltaic storage in north asia

The price of photovoltaic energy storage varies widely based on several factors, including 1. system size, 2. technology used, 3. installation costs, 4. regional incentives.

[Get Price](#)



Contact Us

For catalog requests, pricing, or partnerships, please visit:
<https://www.pienaarshof.co.za>

