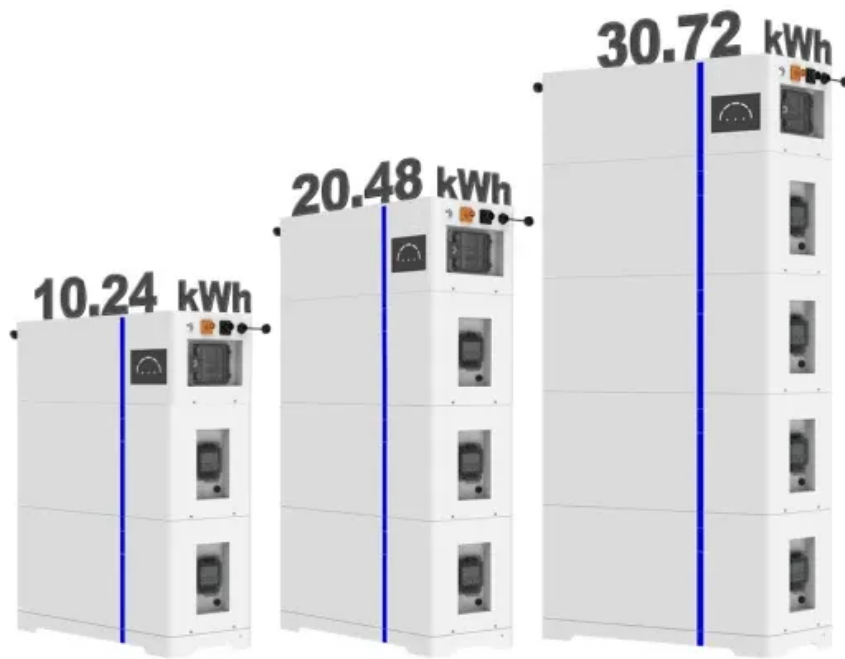


PIENAAR ENERGY (PTY) LTD

Main circuit breaker in China in Myanmar

ESS



Overview

This guide decodes the top 10 Chinese circuit breaker manufacturers by what matters most to international buyers: export readiness, actual certifications (not claimed ones), technical capability, and reliability at scale. Another 3 have CE marking but fail IEC 60947-2 third-party verification. And two don't list certifications at all—just. Are you curious about which circuit breaker manufacturers in China stand out from the rest?

With a booming electrical industry, China is home to some of the top factories producing reliable and innovative circuit breakers. Vacuum circuit breakers which are generally used for heavy-duty tasks are being manufactured. In recent years, circuit breakers have emerged as a crucial mechanism in China's financial markets, serving to stabilize trading during periods of extreme volatility.

Main circuit breaker in China in Myanmar



Understanding Circuit Breakers: Key Features and Top Manufacturers ...

Readers can expect to learn about the historical context of circuit breakers in China, including their evolution and the regulatory framework surrounding them. We will explore how these ...

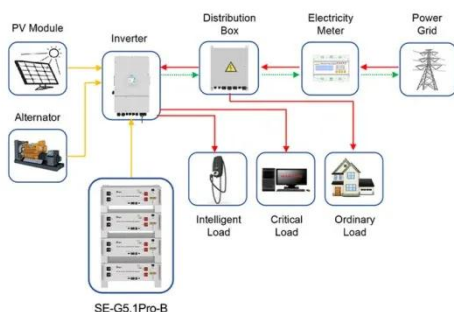
[Get Price](#)

Top 10 circuit breaker manufacturers in china 2025

This guide decodes the top 10 Chinese circuit breaker manufacturers by what matters most to international buyers: export readiness, actual certifications (not claimed ones), technical ...



[Get Price](#)



Application scenarios of energy storage battery products

Myanmar's Circuit Breaker Market Report 2025

This report provides an in-depth analysis of the circuit breaker market in Myanmar. Within it, you will discover the latest data on market trends and opportunities by country, consumption, ...

[Get Price](#)

Top 10 Circuit Breaker Manufacturers in China -- 10-Year Update

Discover the top 10 miniature circuit breaker (MCB) manufacturers in China. This updated guide highlights leading brands, their key products, and why they matter for global buyers.

[Get Price](#)



Top 10 Circuit breaker manufacturer China Products Compare 2025

With a booming electrical industry, China is home to some of the top factories producing reliable and innovative circuit breakers. In this article, we'll explore the leading manufacturers, their unique ...

[Get Price](#)

Myanmar Circuit Breaker Market , Grow At 8.2% CAGR Till 2025

Presently, gas circuit breakers are more widely used in the medium and high voltage categories while vacuum circuit breakers are expected to gain pie in overall Myanmar circuit breaker market share ...

[Get Price](#)



The Top 10 China Circuit Breaker Manufacturers

Here is a look at the top 10 circuit breaker companies in China. It shows each company's main products, special skills, and important features. TOSUNlux, based in Changshu, began in 1994. ...



[Get Price](#)

Myanmar Circuit Breaker with Lamp Chang

Myanmar Circuit Breaker with Lamp Chang US\$0.55 - 0.80 500 Pieces (MOQ)
Port: Ningbo, China

[Get Price](#)



Main circuit breaker in China in Myanmar

· Here is a look at the top 10 circuit breaker companies in China, showcasing each company's main products, special skills, and important features.

[Get Price](#)

Circuit Breakers Companies and Suppliers serving Myanmar

List of Circuit Breakers companies, manufacturers and suppliers serving

Myanmar (Power Distribution)

[Get Price](#)



Contact Us

For catalog requests, pricing, or partnerships, please visit:
<https://www.pienaarshof.co.za>

