

PIENAAR ENERGY (PTY) LTD

Long-term sales of Lusaka mobile energy storage containers



Overview

Emerging markets in Africa and Latin America are adopting mobile container solutions for rapid electrification, with typical payback periods of 3-5 years. Major projects now deploy clusters of 20+ containers creating storage farms with 100+MWh capacity at costs below. Pre-fabricated containerized solutions now account for approximately 35% of all new utility-scale storage deployments worldwide. North America leads with 40% market share, driven by streamlined permitting processes and tax incentives that reduce total project costs by 15-25%. Europe follows closely. Summary: The Lusaka energy storage project investment represents a transformative opportunity in Zambia's renewable energy sector. They can be installed in remote areas that. Delta, a global leader in power and energy management, presents the next-generation containerized battery system (LFP battery container) that is tailored for MW-level solar-plus-storage containerized energy storage system cost. The battery bank in a CESS is. B Containers delivers the finest quality shipping containers in Lusaka, ensuring durability, security, and value for diverse personal and commercial needs B Containers offers affordable pricing in Lusaka, providing top-quality shipping containers without compromising on durability, security, or.

Long-term sales of Lusaka mobile energy storage containers



LUSAKA ENERGY STORAGE PROJECT POWERING ZAMBIA'S

...

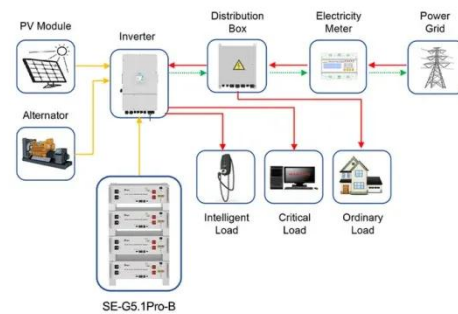
The global solar storage container market is experiencing explosive growth, with demand increasing by over 200% in the past two years. Pre-fabricated containerized solutions now account for

...

[Get Price](#)

Energy Storage Equipment, Energy storage solutions, Lithium battery

Huijue Group offers industrial and commercial energy storage, PV-BESS -EV Charging, Off-grid / On-grid Microgrid, telecom site solutions, and home solar energy storage, ensuring ...



Application scenarios of energy storage battery products

[Get Price](#)

LUSAKA ENERGY STORAGE PROJECT TENDER KEY INSIGHTS BID

Containerized energy storage solutions now account for approximately 45% of all new commercial and industrial storage deployments worldwide. North America leads with 42% market share, driven by ...



Investing in the Lusaka Energy Storage Project: Opportunities and

Summary: The Lusaka energy storage project investment represents a transformative opportunity in Zambia's renewable energy sector. This article explores the project's scope, market potential, and ...

[Get Price](#)

[Get Price](#)



Lusaka Mobile Energy Storage Container 100kW

Lusaka Mobile Energy Storage Container 100kW Solar energy storage containers have numerous benefits, including their portability, scalability, cost-effectiveness, and eco-friendliness.

[Get Price](#)

MOBILE SOLAR CONTAINER MARKET

Explore market trends, pricing, and applications for solar energy storage containers through 2025. Learn about key cost drivers, technological advancements, and practical uses in industries such as mining ...

[Get Price](#)



LUSAKA ENERGY STORAGE



FACILITY CAMPI ENERGY ...

This paper presents a technology suitability assessment (TSA) of high-power energy storage (ES) systems for application in isolated power systems, which is demonstrated through the case of ...

[Get Price](#)

Lusaka energy storage battery container

sk Management, and Long-Term Operation. Delta, a global leader in power and energy management, presents the next-generation containerized battery system (LFP battery container) that is tailored for ...



[Get Price](#)



Lusaka Energy Storage Battery Container: The Future of Power ...

Enter the Lusaka Energy Storage Battery Container - your solar energy's best friend. Designed for industrial and commercial use, this system targets:

[Get Price](#)

**Storage Containers for Sale
Lusaka , Containers for Sale
Lusaka , B**

With a focus on durability and security, each container is built to withstand tough conditions, providing long-term reliability. Our expert team offers personalized service, guiding you from selection to swift ...

[Get Price](#)



Contact Us

For catalog requests, pricing, or partnerships, please visit:
<https://www.pienaarshof.co.za>

