

PIENAAR ENERGY (PTY) LTD

Is the cabinet solar outdoor power cabinet stable



Overview

They provide a stable and secure battery enclosure for solar system configurations that require both high energy density and long operational lifespan. Rugged Outdoor Construction: Built with corrosion-resistant galvanized or stainless steel, suitable for harsh and remote. An outdoor battery cabinet is important for keeping batteries safe. It protects them from bad weather and temperature changes. Companies specializing in full-scenario energy solutions, like CNTE (Contemporary Nebula Technology Energy Co.), design these enclosures with. The Outdoor Cabinet Energy Storage System is a fully integrated solution that combines safe battery storage, intelligent power management, and weatherproof protection for solar and telecom applications.

Is the cabinet solar outdoor power cabinet stable



Solar Battery Cabinet Equipment Enclosures for on-grid or off-grid

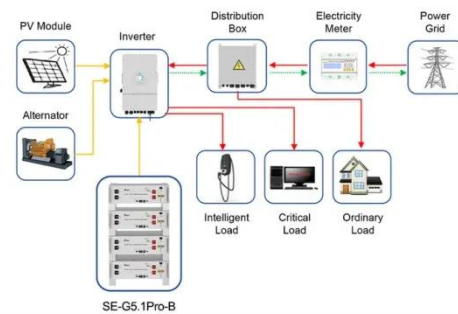
Outdoor Lithium ion Battery Enclosure mainly provides a stable working temperature and dust-free environment for lithium battery, they are integrated with thermal insulation and equipped with air ...

[Get Price](#)

IP65 Outdoor Power Cabinet , Weatherproof Electrical Enclosure

Built with high-strength galvanized or stainless steel, the cabinet offers excellent resistance against water, dust, and corrosion. It is suitable for telecom base stations, solar PV systems, traffic control, ...

[Get Price](#)



Application scenarios of energy storage battery products

Outdoor Solar Battery Cabinet: Selection, Installation, and Protection

Everything you need to know about an outdoor solar battery cabinet. Learn how it protects your battery investment, key features to look for, installation tips, and how CNTE's durable ...

[Get Price](#)

Outdoor Cabinet Energy Storage System

They provide a stable and secure battery enclosure for solar system configurations that require both high energy density and long operational lifespan. Rugged Outdoor Construction: Built with corrosion ...

[Get Price](#)

ESTEL Outdoor Battery Cabinet Buying Guide for 2025

Choosing the right outdoor battery cabinet isn't just about storage--it's about protecting your investment and ensuring top-notch performance. Batteries are sensitive to their environment, ...

[Get Price](#)

Why Choosing the Right Weatherproof Battery Enclosure and Solar ...



Two essential protective solutions for outdoor energy systems are the weatherproof battery enclosure and the solar battery cabinet. These specialized cabinets safeguard sensitive ...

[Get Price](#)



How to Choose the Right Outdoor Battery Cabinet for ...

Compare top outdoor battery cabinets for solar systems. Learn about durability, weatherproofing, and security to choose the best cabinet for your needs.

[Get Price](#)

Outdoor Photovoltaic Energy Cabinet, Base Station Energy Storage

An Outdoor Photovoltaic Energy Cabinet is a fully integrated, weatherproof power solution combining solar generation, lithium battery storage, inverter, and EMS in a single cabinet. It delivers clean, ...

[Get Price](#)



Boost Your Solar Investment with the Best Energy Storage Cabinet



One of the most effective ways to do this is by incorporating an outdoor energy storage cabinet into your solar power system. This article explores how the right outdoor energy storage ...

[Get Price](#)

Outdoor Battery Cabinets: The Solar Homeowner's Guide to Regular ...

In the construction industry, portable battery generators have become essential tools, especially in situations where access to a stable power grid is limited or unavailable.

[Get Price](#)



Contact Us

For catalog requests, pricing, or partnerships, please visit:
<https://www.pienaarshof.co.za>

