

**PIENAAR ENERGY (PTY) LTD**

# **Iraq communication base station battery China**



## Iraq communication base station battery China



### Communication Base Station Battery Market Size, Growth, ...

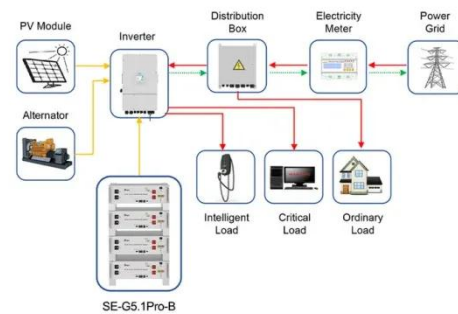
According to a report by the U.S. Department of Commerce, the global market for base station batteries is projected to reach approximately \$12 billion by 2025, growing at a compound annual growth rate ...

[Get Price](#)

### Global Battery for Communication Base Stations Market 2025 by

Global key players of Battery For Communication Base Stations include Narada, Samsung SDI, LG Chem, Shuangdeng and Panasonic, etc. Global top five manufacturers hold a share nearly 20%. ...

[Get Price](#)



Application scenarios of energy storage battery products

### Battery construction for communication base stations in Iraq

Battery construction for communication base stations in Iraq Among various battery technologies, Lithium Iron Phosphate (LiFePO4) batteries stand out as the ideal choice for telecom base

station ...

[Get Price](#)



## Communication Base Station Backup Battery

When natural disasters cut off power grids, when extreme weather threatens power supply safety, our communication backup power system with intelligent charge/discharge management and military ...



[Get Price](#)

### Lithium Solar Generator: \$150



## Communication Base Station Battery Market Research Report 2035

o Panasonic announced in February 2025 the launch of a new SCiB-based 48V telecom backup battery module for 5G base stations, delivering improved cycle life and reliability for remote network sites.

[Get Price](#)

## Communication Base Station Li-ion Battery Market

China's 2022 deployment of 1.2 million 5G base stations, primarily using LFP battery systems, demonstrates this technological alignment. Grid instability in emerging markets forces operators to ...

[Get Price](#)



## Global Communication Base Station Battery Trends: Region-Specific

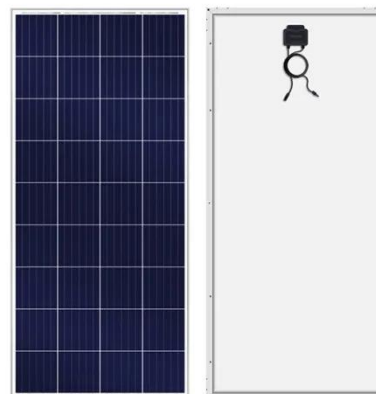
This report analyzes market size, CAGR, key players (Grepow, Samsung SDI, etc.), regional trends (North America, Asia Pacific), and future forecasts (2025-2033). Discover insights on ...

[Get Price](#)

## Global and China Battery for Communication Base Stations Market ...

For China market, this report focuses on the Battery for Communication Base Stations market size by players, by Type, and by Base Station Type, for the period 2019-2030. The key ...

[Get Price](#)



## China Customized Communication Base Station Battery ...



We're professional communication base station battery manufacturers and suppliers in China, specialized in providing high quality products and service. We warmly welcome you to wholesale ...

[Get Price](#)

---

## Low-carbon upgrading to China's communications base stations for

As China rapidly expands its digital infrastructure, the energy consumed by communication base stations has grown dramatically. Traditionally powered by coal-dominated grid ...



[Get Price](#)

---

## Contact Us

For catalog requests, pricing, or partnerships, please visit:  
<https://www.pienaarshof.co.za>

