

PIENAAR ENERGY (PTY) LTD

Intelligent Lithium Battery Energy Storage Cabinets along the Belt and Road



Intelligent Lithium Battery Energy Storage Cabinets along the Belt a



Battery Storage and Charging Solutions

CellBlock offers premium solutions for safely storing and charging Lithium-ion batteries. Our cabinets, cases, and charging racks are engineered and manufactured Beyond Compliance(TM) to provide the ...

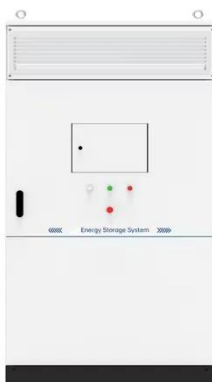
[Get Price](#)

Battery energy storage systems , BESS

Access detailed insights and technical information about Siemens Energy Qstor(TM) Battery Energy Storage Systems. From hybrid BESS to power plant storage, our downloadable resources give you ...



[Get Price](#)



All-in-One Energy Storage Cabinet & BESS Cabinets , Modular, ...

Featuring lithium-ion batteries, integrated thermal management, and smart BMS technology, these cabinets are perfect for grid-tied, off-grid, and microgrid applications. Explore reliable, and IEC ...

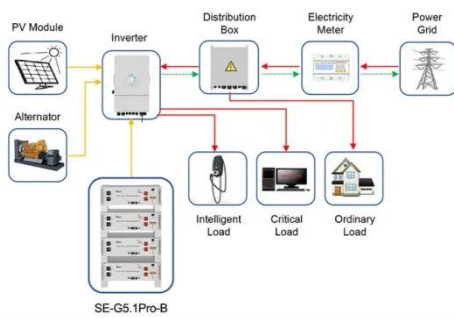
[Get Price](#)

Cabinet Energy Storage System , VREMT

Discover our high-efficiency, modular battery systems with zero capacity loss and rapid multi-cabinet response. Ideal for industrial, commercial, and emergency applications, our solutions offer remote ...



[Get Price](#)



Application scenarios of energy storage battery products

Integrated Energy Storage Cabinet

The Cabinet offers flexible installation, built-in safety systems, intelligent control, and efficient operation. It features robust lithium iron phosphate (LiFePO4) batteries with scalable capacities, supporting on ...

[Get Price](#)

The World's Leading Vehicle-Battery-Cabinet Solution , Belt and Road

o World's only water-cooled fire-extinguishing system that puts out battery fires and prevents re-ignition. o Supports NFC card swap for tap-and-go, ultra-fast battery changes in seconds.



[Get Price](#)

Industrial-Grade Lithium Ion



Battery Storage Cabinets: Advanced ...

Discover our state-of-the-art lithium ion battery storage cabinets featuring advanced safety systems, intelligent battery management, and modular design for optimal energy storage solutions in industrial ...

[Get Price](#)

Energy storage cabinet

Cutting-edge Technology Integration: Huijue Energy Cabinet incorporates the latest advancements in energy storage, featuring high-performance batteries that ensure efficient operation and long lifespan.



[Get Price](#)



Vertiv(TM) EnergyCore, Lithium Ion Battery Cabinet

Built with lithium-ion batteries, it offers longer performance and more cycles than VRLA batteries. With a fully loaded cabinet shipped to your location and no onsite wiring needed, it saves on deployment ...

[Get Price](#)

Energy storage system in the countries of Belt and Road

Energy storage systems are a vital component of the energy transition in

the Belt and Road Initiative countries. China's leadership in energy storage technologies is paving the way for ...

[Get Price](#)



TAX FREE 

ENERGY STORAGE SYSTEM

Product Model
HJ-ESS-215A(100KW/215KWh)
HJ-ESS-115A(50KW 115KWh)

Dimensions
1600*1280*2200mm
1600*1200*2000mm

Rated Battery Capacity
215KWH/115KWH

Battery Cooling Method
Air Cooled/Liquid Cooled



Contact Us

For catalog requests, pricing, or partnerships, please visit:
<https://www.pienaarshof.co.za>

