

PIENAAR ENERGY (PTY) LTD

How to construct a small foundation for a photovoltaic bracket



Overview

Installation starts by digging a hole to a specified depth and shape, bracing a steel pole in the center, and pouring cement to ground level. A single-pole mount will require only one foundation, while a multi-pole mount will need one foundation for every pole. Although they do a big job, MT Solar. Solar panel foundation design requirements depend on multiple factors including mounting structure height, EPA values, soil conditions, and local wind load requirements. All of the pieces, parts and hardware for this ground mount can be purchased from your local big box store. Finally, a DIY solution to mounting solar panels! ☑☑ Save \$50 off any order over \$500 at Signature Solar. Do-it-yourself (DIY) system designs can significantly reduce labor costs, but if they are not attached to a building structure, they require ground penetrating footings.

How to construct a small foundation for a photovoltaic bracket



Solar Panel Foundation Design Guide , Installation & Engineering

Proper foundation engineering is crucial for long-term stability of solar lighting systems. The primary function of engineered foundations in solar lighting systems is to securely anchor both ...

[Get Price](#)

How to install solar ground screw foundation

Installing solar ground screw foundations involves several steps to ensure stability and proper alignment for the solar panel system. Ground screws are a type of foundation that is screwed ...



[Get Price](#)

Construct 3 r449

- It's a new stable release of Construct! If you're updating from the last stable release r440.2 then this update includes changes from r441, r442, r442.2, r44

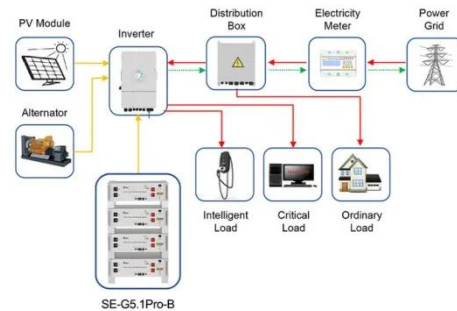


[Get Price](#)

Games Editor

Use our advanced and powerful games editor to build the game you've always imagined. Our editor is packed with features to allow you to create your own games.

[Get Price](#)



Application scenarios of energy storage battery products



Construct 3 Online Manual & Documentation

The Construct 3 manual is licensed under Creative Commons BY-SA 3.0. You are free to copy, re-publish, adapt, modify or otherwise use the material in the manual, providing you correctly ...

[Get Price](#)

Ground Mounted PV Solar Panel Reinforced Concrete Foundation

All the information provided by the solar panel provider are shown in the following figure and design data section and will serve as input for detailed foundation analysis and design. Because of available soil ...

[Get Price](#)



Download Construct 2

Download all versions of Construct 2 from the official Construct website.

Construct 2 is retired and we now recommend upgrading to Construct 3.

[Get Price](#)



How to Build a Photovoltaic Bracket on Flat Ground: A Step-by-Step

Let's face it - when most people picture photovoltaic bracket installation, they imagine complicated roof acrobatics or mountain slope engineering. But guess what? Flat ground solar installations are

...

[Get Price](#)



Create Games with Construct

Construct 3 is a video game maker that allows anyone to build games. Use this video game making software to create games for mobiles, desktops, consoles and web.

[Get Price](#)

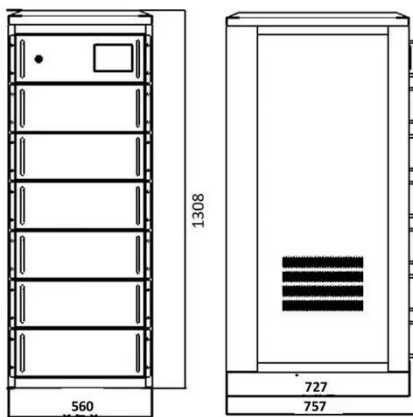


Game Making Software

Construct 3 is the worlds best game making software. Make your own game

in your browser without coding or with Javascript. Building games has never been easier!

[Get Price](#)



DIY Solar Panel Ground Mount

How to build a strong, easy and affordable solar panel ground mount system. All of the pieces, parts and hardware for this ground mount can be purchased from your local big box store.

[Get Price](#)

Get Construct

Construct 3 runs right in your browser. There's nothing to download or install! Just visit editor nstruct in your browser on any modern browser and Constr

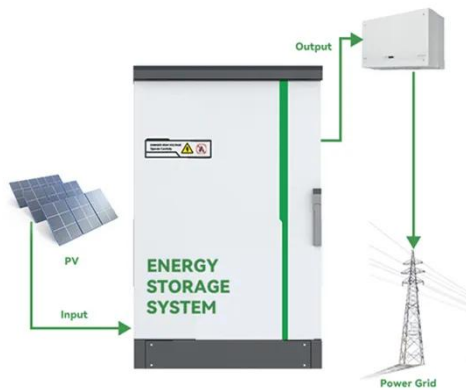
[Get Price](#)



Ballast-Supported Foundation Designs for DIY Low-Cost Open

...

The ballast-supported foundations are analyzed for eight systems by proposing



two separate ballast designs: one for a single line of post systems, and one for a double line of post systems, both built on ...

[Get Price](#)

A Brief Guide to Solar Mount Foundations

Get the basics and helpful tips for planning and pouring a solar mount foundation. Learn how easy it is to create a robust solar installation.

[Get Price](#)



Outdoor Photovoltaic Solar Panel Base Construction: Essential Guide ...

Building a reliable foundation for outdoor photovoltaic (PV) systems is like laying the cornerstone of a skyscraper--it determines long-term performance. This guide explores practical strategies, material ...

[Get Price](#)



Play Free Online Games

Browse and play free online addicting games in your browser! All games made

in the Construct game making software. Make your own games and upload to our arcade.

[Get Price](#)



APPLICATION SCENARIOS



Ballast-Supported Foundation Designs for DIY Low-Cost

Two different designs for both fixed tilt and variable tilt PV racking are investigated to assess their structural integrity, constructability, and economic cost when fabricated with a

[Get Price](#)

How to make the photovoltaic panel foundation bracket

Sun-Age designs and produces the most efficient fixing systems for structure on tile roofs, such as the innovative BEE33 UNIVERSAL BRACKET which saves costs and installation times on

[Get Price](#)



Construct Tutorials

Browse hundreds of tutorials for a variety of skill levels and abilities and learn how to make games and animations

[Get Price](#)

Create Your Own Games

Free trial for game maker Construct 3. No download or registration required - create and build your games in the browser. Making games has never been easier in our

[Get Price](#)

Contact Us

For catalog requests, pricing, or partnerships, please visit:
<https://www.pienaarshof.co.za>

