

How to choose a controller for solar power generation



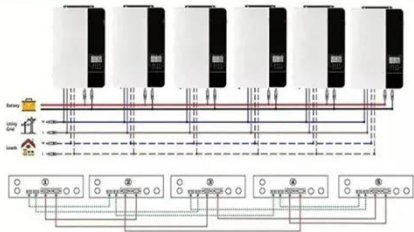
Overview

In this guide, we unpack solar charge controller types and sizing in plain English. We compare Maximum Power Point Tracking (MPPT) and Pulse Width Modulation (PWM) controllers, show how to choose the right capacity, and explain what happens if you pick the wrong size. It quietly protects the batteries, optimises charging, and extends lifespan. What Are Solar Charge Controllers?

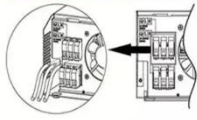
The charge controller in your solar. Solar controllers, also known as charge controllers, play a pivotal role in the solar energy system's efficiency and longevity.

How to choose a controller for solar power generation

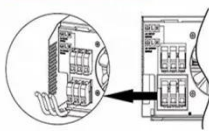
Parallel (Parallel operation up to 6 unit (only with battery connected))



AC input wires



AC output wires



What solar controller do I need?

In this in-depth guide, we will discuss the important factors to consider when choosing a solar controller for your solar power system. Whether you're a clued-up autoelectrician or just starting out, this guide ...

[Get Price](#)

Solar And Generator Charge Controller [Ultimate Efficiency Guide]

Welcome to our guide on solar and generator charge controllers. In this article, we will explore what they are, why they are important, and how to choose the best one for your needs.

[Get Price](#)

ESS



How to choose a solar charge controller

In this article we'll explain how to select a solar controller, what are the types of regulators and what are the differences between them. The main objective of a solar charge ...

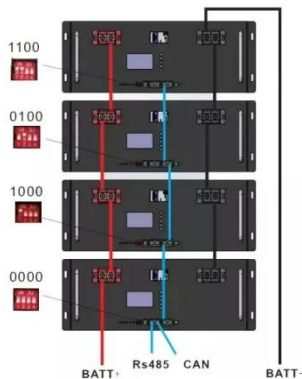
[Get Price](#)

Solar Charge Controllers: Choosing, Upgrading, and Maintenance Tips

How to Choose the Right Charge Controller for Your Solar Setup? You must choose the right charge controller for your solar setup. This task involves understanding your system's needs. ...



[Get Price](#)



What to choose for solar controller , NenPower

Using a solar controller requires more than just selection; installation and ongoing maintenance are equally vital. 1 The mounting location significantly influences the performance of a ...

[Get Price](#)

Solar Charge Controller Sizing and How to Choose One

However, there's more to choosing a charge controller than simply choosing the right type -- in addition to this, you must consider additional features in terms of both safety and convenience.



[Get Price](#)

Best Controller Options for Solar Panels: Top Picks for Efficient Off

Choosing the right solar charge



controller is essential for protecting your battery bank and maximizing energy harvest. The following selections cover MPPT and PWM technologies across ...

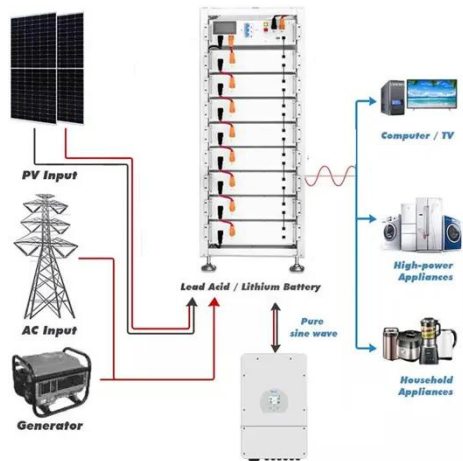
[Get Price](#)

How to Choose the Best Solar Controller for Your System

Find out how to select the correct solar controller for C& I, off-grid, or utility scale projects. Match specs, avoid pitfalls, and ensure reliable solar performance.



[Get Price](#)



Solar Charge Controller Types and Sizing Guide

In this guide, we unpack solar charge controller types and sizing in plain English. We compare Maximum Power Point Tracking (MPPT) and Pulse Width Modulation (PWM) controllers, ...

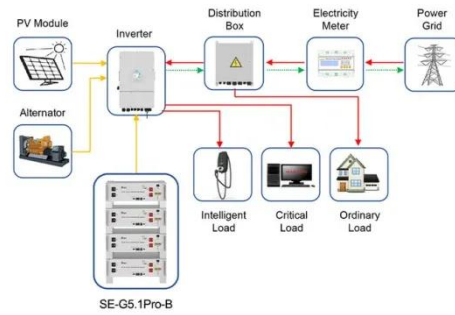
[Get Price](#)

The Essential Guide to Choosing the Right Solar Controller for Your

Choosing the right solar controller is

crucial for the optimal performance and longevity of your solar power system. Consider the type of solar controller, its features, and compatibility with ...

[Get Price](#)



Application scenarios of energy storage battery products

Contact Us

For catalog requests, pricing, or partnerships, please visit:
<https://www.pienaarshof.co.za>

