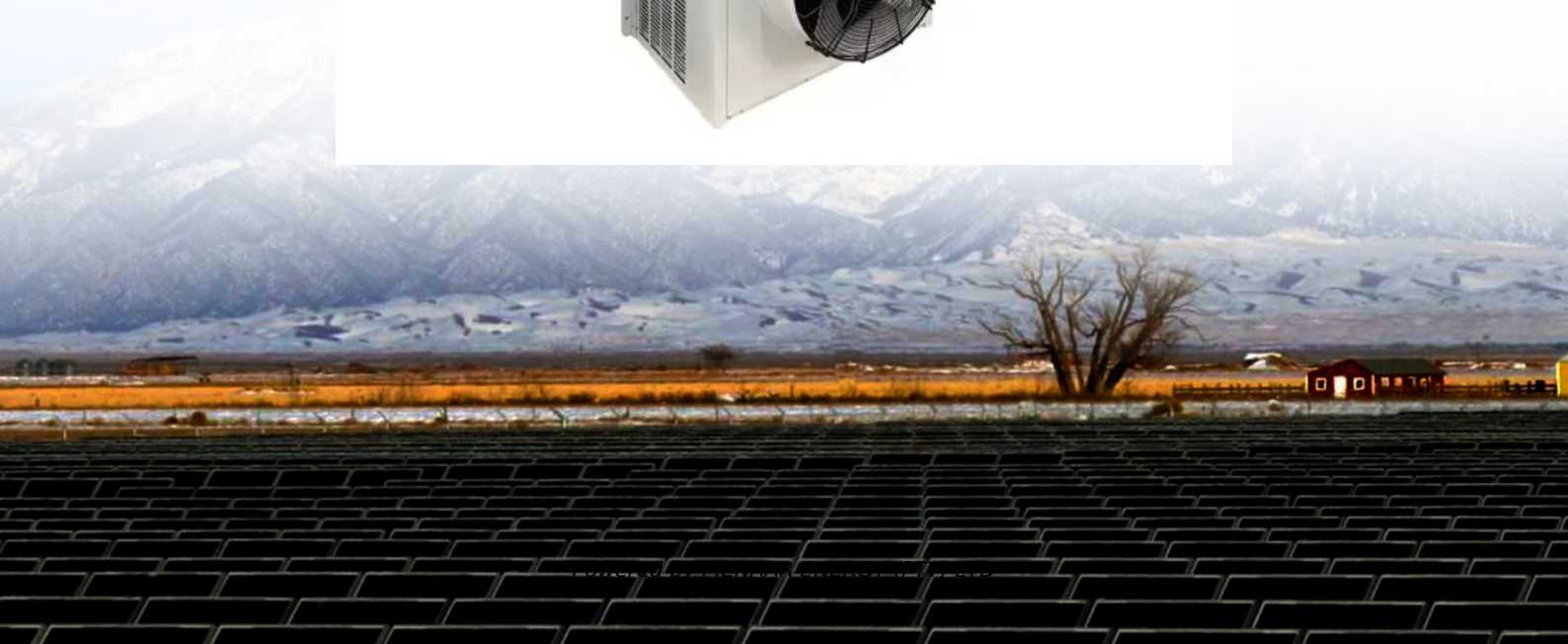


PIENAAR ENERGY (PTY) LTD

How thick is the solar panel charging of the energy storage cabinet



Overview

To charge an energy storage cabinet, the DC needs to be converted into the appropriate voltage and current, which is where the inverter comes into play. Wind energy serves as another dynamic component in this charging process. Usable Battery En rcurrent, battery temperature, cabinet swi mperatures above 104 °F (40 °C) and below 32 °F (0 . Featuring intelligent control, high conversion efficiency, and low standby loss, it ensures optimal energy usage while reducing operating costs. The system offers flexible configuration, compatibility with most EV brands, and is suitable for various industrial and commercial applications such as. Charging occurs when electricity—derived from solar panels, wind turbines, or even the electrical grid—is directed into the battery cells. The charging controller monitors the voltage and current, ensuring that the energy is fed into the storage system at the correct rate and ensuring optimal. AZE's all-in-one IP55 outdoor battery cabinet system with DC48V/1500W air conditioner is a compact and flexible ESS based on the characteristics of small C&I loads. It consists of various components that work together to ensure efficient energy storage and management. These cabinets are integral in residential, commercial, and industrial applications, providing a reliable.

How thick is the solar panel charging of the energy storage cabinet



Solar PV Energy storage box installation and wiring method

In off-grid business use, a Solar PV Energy Storage box represents an autonomous power solution that has photovoltaic (PV) arrays, storage batteries, inverters, and controls.

[Get Price](#)

How does the energy storage cabinet charge? , NenPower

To charge an energy storage cabinet, the DC needs to be converted into the appropriate voltage and current, which is where the inverter comes into play. Wind energy serves as another ...



[Get Price](#)



Energy Storage Cabinets: Key Components, Types, and Future ...

An energy storage cabinet is a sophisticated system used to store electrical energy. It consists of various components that work together to ensure efficient energy storage and management.

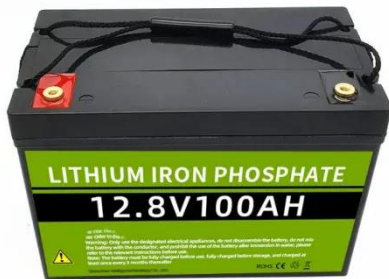
[Get Price](#)

Solar Battery Cabinet Equipment Enclosures for on- grid or off-grid

The cabinet save time on-site and provide the customer with a neat, safe enclosure for their solar system installation. Our solar battery cabinet systems are storing Pylontech lithium-iron phosphate ...



[Get Price](#)



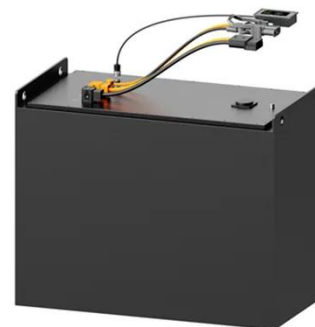
PWRcell 2 Battery Cabinet

Battery Cabinet The PWRcell 2 Battery Cabinet is one component of the PWRcell 2 Home Energy Storage System. SYSTEM OVERVIEW

[Get Price](#)

100kWh Solar 280Ah LiFePO4 Battery, Air-cooling Energy Storage ...

The system offers flexible configuration, compatibility with most EV brands, and is suitable for various industrial and commercial applications such as microgrids and solar storage.



[Get Price](#)

All in one C& I Energy Storage Cabinet



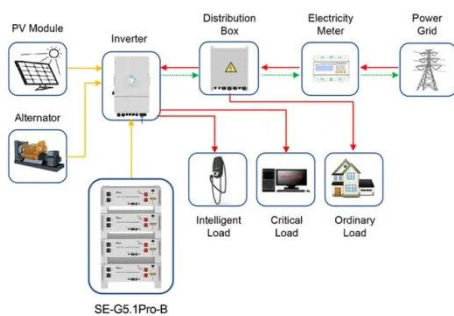
With user-friendly operation and versatile applications, it's perfect for residential, commercial, and industrial energy storage needs. Backed by JNTech's expertise, this system ensures reliable and ...

[Get Price](#)

Step-by-Step Solar Battery Cabinet Installation Guide

Follow this detailed guide for a smooth installation of your solar battery cabinet and maximize renewable energy use

[Get Price](#)



Application scenarios of energy storage battery products

Homeowner Guide

As net metering regulations become more strict and less profitable, and Time-of-Use (TOU) rates continue to increase electricity costs in the evening, it's often more economical to store excess solar ...

[Get Price](#)

Photovoltaic Energy Storage System Cabinet: Your Ultimate Guide to

Enter the photovoltaic energy storage system cabinet - the unsung hero of

solar power setups. This article is your backstage pass to understanding why these metal boxes are rewriting the ...

[Get Price](#)



Contact Us

For catalog requests, pricing, or partnerships, please visit:
<https://www.pienaarshof.co.za>

