

PIENAAR ENERGY (PTY) LTD

How much does it cost to invest in energy storage solar



How much does it cost to invest in energy storage solar



Solar Battery Storage System Costs in 2025: A Buyer's Guide

At the present time, the average cost of a solar battery storage system ranges between \$500 to \$800 per usable kWh, depending on the product, region, and installation complexity. On a ...

[Get Price](#)

Solar Battery Storage: How Much They Cost and Their Value Explained

A solar battery storage system costs between \$10,000 and \$20,000. Key factors include energy storage capacity and brand. Typical pricing averages \$800 to \$1,000 per kWh. With a 30% ...



[Get Price](#)

How Expensive Is Solar Panel Storage? (And Is It Actually Worth It?)

The cost of installing a solar battery generally falls between \$10,000 to \$20,000, on average. Prices, however, can get totally out of control based on capacity, make, and location.

[Get Price](#)

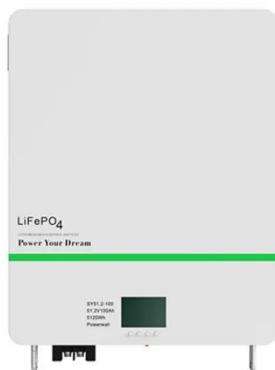


How Much Does It Cost to Invest in an Energy Storage Power Station?

Investing in energy storage offers both economic and environmental rewards. While upfront costs vary by scale and location, falling prices and smart policies make this technology a smart choice for ...



[Get Price](#)



Understanding the Cost of Solar Energy Storage , Benefits

Explore the key factors influencing solar energy storage costs, from battery types to installation. Learn how investing in solar storage can enhance energy independence, lower electricity ...

[Get Price](#)

How Much Does a Solar Battery Storage System Cost: Factors

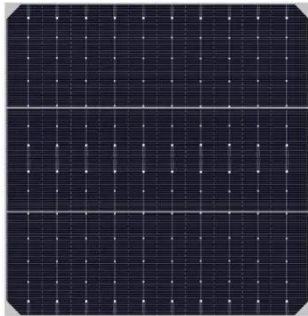
...

In this article, you'll discover the various factors that influence the cost of solar battery systems and what you can expect in terms of pricing. Understanding these details can help you ...

[Get Price](#)



How much does it cost to store electricity in solar panels?



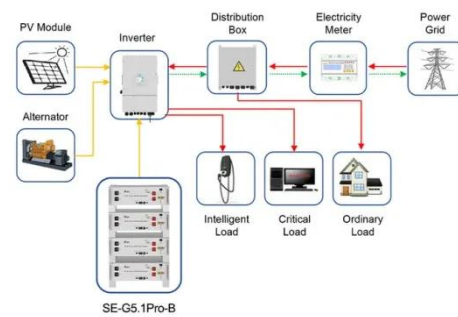
Integrating solar storage systems into a home or business can significantly influence energy costs. By storing surplus energy generated during sunny days for use during evening hours, ...

[Get Price](#)

Energy Storage Costs: Trends and Projections

Historical data reveals that the energy storage market has undergone significant transformations in pricing and technology. Material price fluctuations have influenced battery costs ...

[Get Price](#)



Application scenarios of energy storage battery products



Solar Energy Storage: Technologies, Costs & ROI Explained

Learn how energy storage in solar plants works, compare technologies, and discover key cost and ROI metrics to guide investment decisions.

[Get Price](#)

Is the cost of a solar battery worth the investment?

This article explores solar energy battery storage costs, benefits, and value. Read

this guide to determine if a solar battery is worth it for your home.

[Get Price](#)



Contact Us

For catalog requests, pricing, or partnerships, please visit:
<https://www.pienaarshof.co.za>

