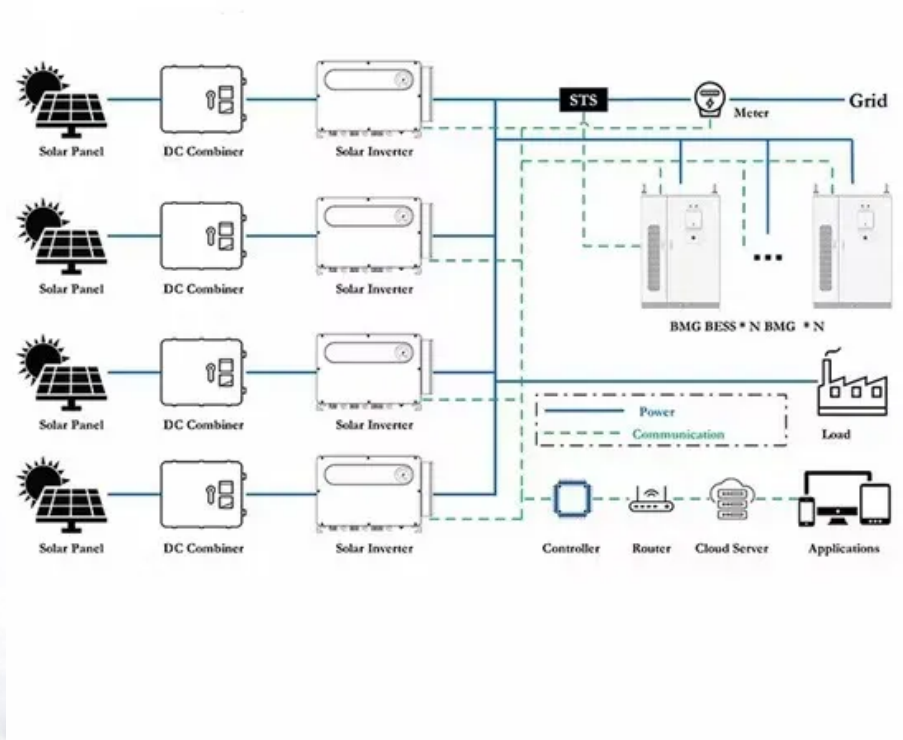


PIENAAR ENERGY (PTY) LTD

How many photovoltaic panels can be installed in 5 square meters



Overview

Average solar panel dimensions are approximately 1.6 square meters (about 1 meter by 1.65 meters), meaning approximately three standard panels can fit within 5 square meters when accounting for necessary spacing. Most homeowners need between 15-25 solar panels to power their entire home, but this number varies significantly based on your energy usage, location, and roof characteristics. On average, the amount of required roof space for a set of home solar panels is between 300 sq ft and 500 sq ft total. Formula: Panels = (Roof Area × Usable % × (1 – Spacing Loss %)) ÷ Panel Area → Total Capacity (kW) = Panels × Panel Wattage ÷ 1000.

How many photovoltaic panels can be installed in 5 square meters



Total Area Required for Solar Panel Installation Calculator

Calculate the total area needed for your solar panel installation quickly and accurately with our easy-to-use solar panel area calculator.

[Get Price](#)

Solar Panel Calculator

Enter a few required parameters into the following calculator and estimate the number of panels, solar array dimensions, and area required to install a solar system. Use the solar panel calculator to ...



[Get Price](#)

How Many Solar Panels Do I Need To Power a House in 2026?



While it varies from home to home, US households typically need between 10 and 20 solar panels to fully offset how much electricity they use throughout the year. The goal of most solar projects is to ...

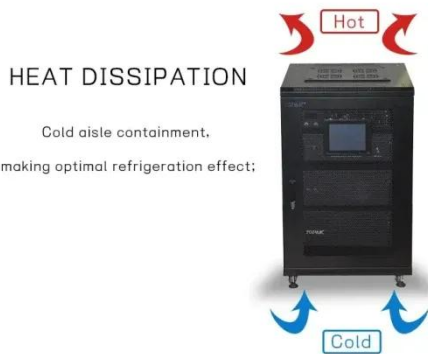
[Get Price](#)

How many solar panels do I need for my home? 2026 guide

Check out the table below for a ballpark estimate of how many solar panels your home would need based on its square footage (assuming 430 W solar panels and a production ratio of 1.5).

[Get Price](#)

CE UN38.3 MSDS



How many solar panels can be installed in 5 square meters?

Average solar panel dimensions are approximately 1.6 square meters (about 1 meter by 1.65 meters), meaning approximately three standard panels can fit within 5 square meters when ...

[Get Price](#)

How much area is needed for solar panel installation

To help you decide if your property is suitable for solar, this guide outlines roof space requirements and breaks down how to calculate the area needed for your home solar panel installation.

[Get Price](#)



How many solar panels does my house need?

The number of solar panels that a home needs varies between 4 and 18

photovoltaic panel modules. To opt for more or fewer panels to make the investment of the installation profitable

...

[Get Price](#)



Deye Official Store

10 years warranty

How Many Solar Panels Do I Need? 2025 Calculator , SolarTech

How many solar panels do I need? Use our 2025 calculator to size your system by home size, kWh usage, and location. Get panel count, roof space, and kW--free from SolarTech.

[Get Price](#)



How Many Solar Panels Do I Need? Home Solar ...

An average home needs 15 - 19 solar panels to cover all of its energy usage. Use our 4-step solar calculator to find out how many solar panels you need.

[Get Price](#)



Roof Area to Solar Panel Capacity Calculator (kW Estimator)

Use our Roof Area to Solar Panel

Capacity Calculator to estimate how many solar panels fit on your roof and total system capacity in kW. Adjust for usable roof area, panel size, wattage, and spacing losses.

[Get Price](#)



Contact Us

For catalog requests, pricing, or partnerships, please visit:
<https://www.pienaarshof.co.za>

