

## PIENAAR ENERGY (PTY) LTD

# How many kWh of electricity can solar energy storage store

Nominal Capacity

**280Ah**

Nominal Energy

**50kW/100kWh**

IP Grade

**IP54**



## Overview

---

A solar battery's storage capacity shows how much electricity it can hold, measured in kilowatt-hours (kWh). This power can supply a typical home for roughly 24 hours during a power outage, depending on home energy consumption and battery efficiency. Typical storage need: 10-20 kWh for 1-2 days of essential power. A reliable solar battery backup system ensures your home stays powered when the grid fails, providing peace of mind during emergencies. Many utilities charge higher rates during peak hours (typically 4-9 PM). Common residential storage solutions range between 5 kWh and 20 kWh, making them suitable for typical household energy. Understanding Solar Batteries: Solar batteries store excess electricity generated by solar panels, allowing for energy use during non-sunny periods. Storage Capacity Matters: Choosing the right battery capacity impacts energy independence; options range from 7 kWh in lead-acid batteries to 10-15. As solar energy adoption grows, many homeowners and businesses are curious about one critical question: How much power can a solar system battery actually store?

Understanding battery capacity is essential for designing an effective energy storage system that meets your needs for backup power. This is where understanding your solar energy battery storage capacity becomes the most critical step in your energy journey. Choosing the right system involves more than just picking a brand. A system that is too small will leave you in the.

## How many kWh of electricity can solar energy storage store

---



### How Much Power Does a Solar Battery Store? Capacity, Size, and ...

They offer high energy density and can easily store between 5 to 20 kilowatt-hours (kWh) of energy. These batteries have a long lifespan, often exceeding 10 years, and can endure numerous ...

[Get Price](#)

## How Much Battery Storage Do I Need? Complete 2025 Sizing Guide

An 8 kW solar system producing 32 kWh daily typically pairs with 10-15 kWh of storage. For off-grid systems, you need 100-200% of daily solar production in battery capacity to handle ...



[Get Price](#)



### How much electricity can solar energy storage store?

Common residential storage solutions range between 5 kWh and 20 kWh, making them suitable for typical household energy consumption patterns, especially when paired with solar panels.

[Get Price](#)

## How Many KWh Can A Solar Battery Hold For Home Backup Power?

A solar battery's storage capacity shows how much electricity it can hold, measured in kilowatt-hours (kWh). On average, solar batteries store about 10 kWh. This power can supply a ...



[Get Price](#)

---



## Best Ways to Store Solar Energy: Efficient Solutions & Practices

Solar energy storage refers to the process of capturing excess electricity produced by solar panels and saving it for later use. Since solar panels only generate power when the sun is shining, ...

[Get Price](#)

---

## Cost Projections for Utility-Scale Battery Storage: 2025 Update

The \$/kWh costs we report can be converted to \$/kW costs simply by multiplying by the assumed 4-hour duration (e.g., a \$300/kWh, 4-hour battery would have a power capacity cost of \$1200/kW).



[Get Price](#)

---

## Solar Energy Battery Storage

## Capacity: Sizing Your System for ...



What is Solar Energy Battery Storage Capacity? When we talk about solar energy battery storage capacity, we are referring to the total amount of electricity a battery can hold. This is ...

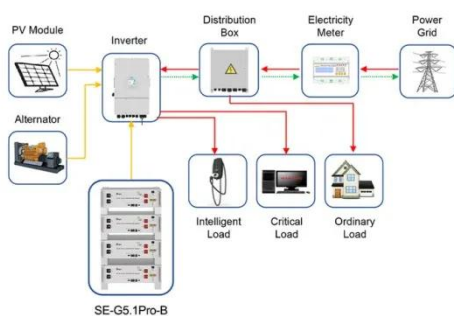
[Get Price](#)

## How Many kWh Can a Solar Battery Store to Maximize Your Energy

A typical lithium-ion solar battery can store between 10 to 15 kilowatt-hours (kWh) of energy, while lead-acid batteries usually hold up to 7 kWh. The storage capacity depends on battery ...



[Get Price](#)



Application scenarios of energy storage battery products

## How Much Power Can a Solar System Battery Really Store?

Battery storage capacity is measured in kilowatt-hours (kWh), which represents the amount of energy a battery can store and deliver over time. For example, a battery rated at 10 kWh ...

[Get Price](#)

## How much electricity can a solar battery store , NenPower

Defined in kilowatt-hours (kWh), this

metric illustrates the maximum amount of energy the battery can retain. A typical home solar battery storage array might hold anywhere between 5 kWh ...

[Get Price](#)



---

## Contact Us

For catalog requests, pricing, or partnerships, please visit:  
<https://www.pienaarshof.co.za>

