

PIENAAR ENERGY (PTY) LTD

**How many 10kva
uninterruptible power supply a**



Overview

Calculate your required UPS capacity with our free UPS power supply calculator. Need to learn more before making a decision?

How Much Power Will Your UPS Use?

Choose the right UPS, uninterruptible power supply, based on your total power consumption, Eaton UPS Selector . Calculate the appropriate uninterruptible power supply (UPS) size by entering your equipment power requirements and backup needs below. This calculator helps determine the correct UPS capacity in VA (Volt-Amps) and required battery runtime based on your connected load and desired backup duration. When it comes to selecting an uninterruptible power (UPS) system, there are several factors to consider. Beyond determining the desired topology and whether you require a single-phase or three-phase unit, it is essential to properly calculate the size of the UPS you need.

How many 10kva uninterruptible power supply a



UPS Load Calculator, How Much Power Will Your UPS Use?

How Much Power Will Your UPS Use? Choose the right UPS, uninterruptible power supply, based on your total power consumption, Eaton UPS Selector.

[Get Price](#)

Uninterruptible Power Supply kVA Load Calculator UPS

Simply answer our straightforward questions based on load and characteristics and we'll provide you with recommendations for your UPS capacity in kVA, ensuring optimal performance and protection ...



[Get Price](#)

UPS Calculator

A UPS (Uninterruptible Power Supply) Calculator is a vital tool designed to help users determine the appropriate UPS size required to support their electronic devices during a power outage.

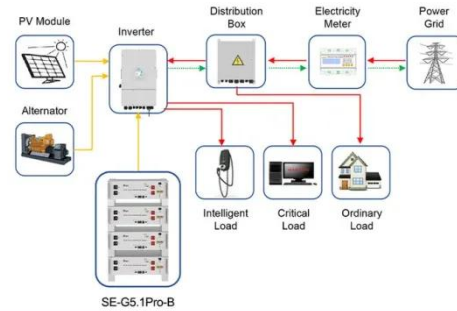
[Get Price](#)



Uninterruptible Power Supply 10kVA: Elevate Your Energy Efficiency ...

This comprehensive guide dives deep into the world of Uninterruptible Power Supply 10kVA, a popular choice among medium to large businesses, data centers, and industries requiring a reliable power ...

[Get Price](#)



Application scenarios of energy storage battery products



- IP65/IP55 OUTDOOR CABINET
- ALUMINUM
- OUTDOOR ENERGY STORAGE CABINET
- OUTDOOR MODULE CABINET

UPS Power Supply Size Calculator

Enter your equipment specifications below to calculate the required UPS power supply capacity. For accurate results, use the power ratings from your equipment labels or documentation.

[Get Price](#)

APC UPS Selector/Calculator

Battery backup protection for computer systems, gaming consoles, TV, modem/router and smart home devices. Find the right UPS to protect your servers, switches, routers and networking devices in ...



[Get Price](#)

UPS Sizing Guide and Calculations , Server Room ...

Server Room Environments offers UPS sizing guides and calculators in VA, kVA,

Watts, and kW for server room and data centre power needs!

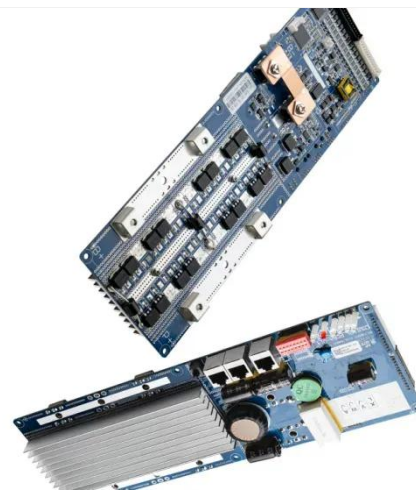
[Get Price](#)



How to Calculate UPS Load and Runtime

Enter the number of devices and their respective amps, volts, and quantity to calculate the total VA of your UPS load. This calculation will help you determine the appropriate UPS size for ...

[Get Price](#)



UPS Size Calculator

Calculate the appropriate uninterruptible power supply (UPS) size by entering your equipment power requirements and backup needs below. This calculator helps determine the correct UPS capacity in ...

[Get Price](#)

How to Figure Out the Required UPS Capacity?

Measured in "watts", UPS capacity is an important factor to consider when choosing a UPS (uninterruptible power

supply). It determines how many electronic devices the UPS system can ...

[Get Price](#)



Contact Us

For catalog requests, pricing, or partnerships, please visit:
<https://www.pienaarshof.co.za>

