

PIENAAR ENERGY (PTY) LTD

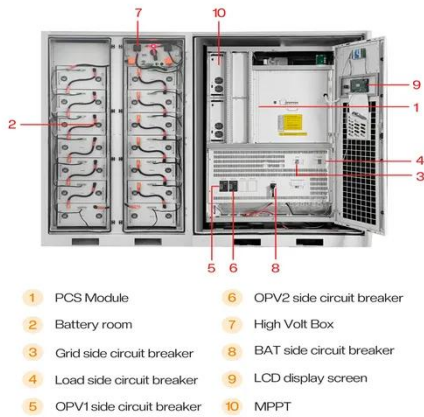
High-efficiency photovoltaic folding containers for farms



Overview

High-efficiency Mobile Solar PV Container with foldable solar panels, advanced lithium battery storage (100-500kWh) and smart energy management. Ideal for remote areas, emergency rescue and commercial applications. Fast deployment in all climates. It not only transports the PV equipment, but can also be deployed on site. It is based on a 10 - 40 foot shipping container. Due to its construction, our solar. zed by its flexible and lightweight substructure. Such systems are designed for situations that need flexible. That is why we have developed a mobile photovoltaic system with the aim of achieving maximum use of solar energy while at the same time being compact in design, easy to transport and quick to set up.

High-efficiency photovoltaic folding containers for farms



solarfold , Mobile Solar Container

Accessories for solarfold Containers have been certified by multiple bodies, and guarantee supreme efficiency and safety. Here is a selection of some of our certificates and seals of approval.

[Get Price](#)

150-foot folding photovoltaic container for farms

The greatest merit of folding photovoltaic panel containers is their high degree of mobility, avoiding the large occupation of land by traditional solar power generation systems.



[Get Price](#)



Off-grid photovoltaic folding container for farms

Highjoule successfully deploys 1MW off-grid photovoltaic storage system in Guinea using innovative solar folding containers, providing sustainable energy for remote

[Get Price](#)

Containerized Photovoltaic

Power Plant-Folding Photovoltaic Container

Foldable solar panel containers demonstrate greater flexibility and practicality in scenarios requiring mobile power supply due to their quick deployment, high efficiency, ease of transportation and ...



[Get Price](#)



Mobile Solar PV Container , Portable Solar Power Solutions

The HJ Mobile Solar Container comprises a wide range of portable containerized solar power systems with highly efficient folding solar modules, advanced lithium battery storage, and smart energy management.

[Get Price](#)

Solarcontainer: The mobile solar system

Our pioneering and environmentally friendly solar systems: Folded solar panels in a container frame with corresponding standard dimensions, easy to unfold thanks to a sophisticated rail system and no shading ...



[Get Price](#)

Huijue Foldable Solar Container: Sustainable Energy on the Go



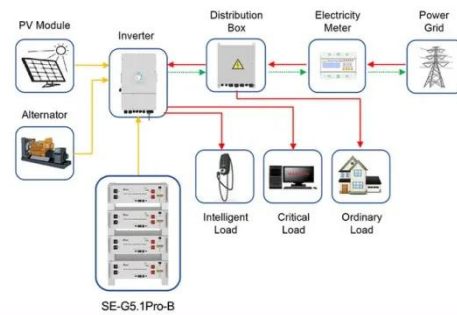
Unlike ordinary photovoltaic farms that require massive land areas, the Huijue Foldable Solar Container can be deployed on truly any flat surface, which include deserted lots, transient development ...

[Get Price](#)

SolaraBox Solar Containers , Products & Configurations

Explore SolaraBox's solar container product lineup--modular, scalable, high-efficiency systems. Download specs, compare models, request quote.

[Get Price](#)



Application scenarios of energy storage battery products



High-efficiency and cost-effective photovoltaic folding containers for

The greatest merit of folding photovoltaic panel containers is their high degree of mobility, avoiding the large occupation of land by traditional solar power generation systems.

[Get Price](#)

Mobile Solar Container Systems , Foldable PV Panels , LZY Container

Explore our range of high-efficiency solar

container solutions designed for businesses worldwide. Our containers combine cutting-edge technology with durability and ease of deployment.

[Get Price](#)



Contact Us

For catalog requests, pricing, or partnerships, please visit:
<https://www.pienaarshof.co.za>

