

PIENAAR ENERGY (PTY) LTD

Grid stabilization baghdad



Grid stabilization baghdad



Iraq's Ministry of Electricity and GE Vernova deliver critical

BAGHDAD, Iraq (Octo) - In a major boost to Iraq's electricity infrastructure, the Ministry of Electricity (MoE) and GE Vernova Inc. (NYSE: GEV) announced today the early completion and ...

[Get Price](#)

Grid stabilization baghdad

This paper presents the comprehensive design, simulation, and experimental validation of a grid-tied hybrid renewable energy system tailored for electric vehicle (EV) charging applications.

[Get Price](#)



Retraction: Impacts of solar PV power system to an existing grid: Case

In this work, the steady-state impacts on voltage level, voltage profile line loading and voltage stability on the distribution grids were studied.

[Get Price](#)

Resilient Photovoltaic-Battery Systems for Urban Households in Grid

This case study is based on actual monthly electricity consumption statistics over 1 year for a home in the Al-Latifiya district, south of Baghdad, Iraq, to install a roof PV system instead of a ...

[Get Price](#)



Linxon signs contracts with for major grid rehabilitation in Iraq

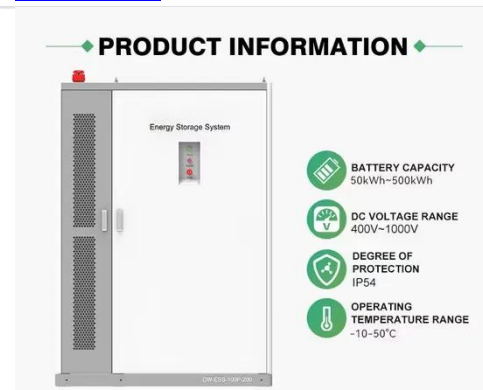
The Iraqi Ministry of Electricity has signed three major contracts with Linxon to rehabilitate key 400 kV Bulk Supply Point (BSP) stations in Baghdad and Diyala. The contracts are part of the ...

[Get Price](#)

Stabilizing Baghdad: The Path to a Modern Megacity

Explore strategies for Baghdad's transformation into a sustainable megacity. Download our PDF guide for insights.

[Get Price](#)



An investigation on the power network stability of Southern Baghdad

This work aims to study the stability and



develop proposals to improve the southern Baghdad region's electrical power transmission reliability.

[Get Price](#)

Major Power Grid Upgrades in Baghdad for Summer 2025

The Iraqi Ministry of Electricity has announced a plan to enhance Baghdad's power grid ahead of summer 2025, including the installation of 74 new substations and the rehabilitation of 900 ...

[Get Price](#)

LPSB48V400H
48V or 51.2V



Solar Photovoltaic System as a Sustainable Solution for Electric Load

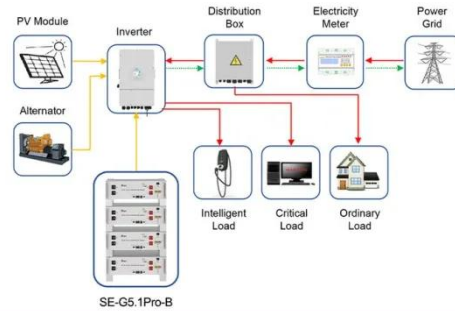
In the present study, researchers examined a solar off-grid-connected photovoltaic system for a family house in the city of Baghdad. The design was created with the help of the "How ...

[Get Price](#)

Iraq Boosts Grid Capacity: West Baghdad Power Station Expanded to ...

The upgraded station will play a key role in reducing pressure on the grid in western Baghdad and Fallujah (Anbar Province), improving voltage stability and overall network efficiency.

[Get Price](#)



Application scenarios of energy storage battery products

Contact Us

For catalog requests, pricing, or partnerships, please visit:
<https://www.pienaarshof.co.za>

