

**PIENAAR ENERGY (PTY) LTD**

# **Global Microgrid Industry Analysis**



## Overview

---

The global microgrid market size was valued at USD 13.70 billion during the forecast period, and is projected to reach USD 95.1 billion in 2035, at a CAGR of 18%. To learn more about this report, request a free sample copy. The new research study consists of global microgrid market analysis. The Microgrid Market Report is Segmented by Connectivity (Grid-Connected and Off-Grid), Offering (Hardware, Software, and Services), Power Sources (Solar Photovoltaic, Combined Heat and Power, Fuel Cells, and More), Type (AC Microgrids, DC Microgrids, and More), Power Rating (Up To 1 MW, 1 To 5 MW). The microgrid market is projected to reach USD 95.1 billion by 2035. A microgrid is a localized energy system that can operate independently or with the main grid, integrating distributed energy resources for reliable and

## Global Microgrid Industry Analysis



### Microgrid Market Size, Share and Growth Analysis , 2035

Solar photovoltaic (PV) holds a significant share of the microgrid market due to its decreasing cost, scalability, and global push for renewable energy sources. It is favoured for its relatively easy ...

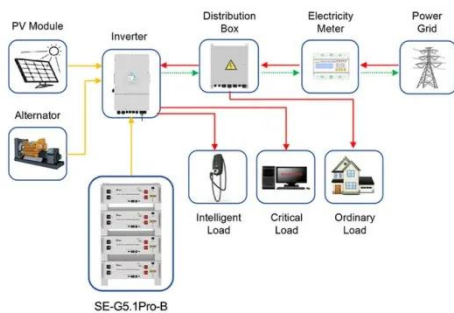
[Get Price](#)

### Microgrid Market Size, Share & Forecast 2035

This report provides insight into the effects of global crises, regional insights, important industry developments, and how the market is divided by type and application.



[Get Price](#)



Application scenarios of energy storage battery products

### Global Industrial Company

Serving all of North America, Global Industrial offers a vast selection of hand-picked and tested industrial-strength products, including material handling, storage & shelving, safety & security, ...

[Get Price](#)

## Microgrid Market Size, Scope and Growth Latest Analysis Report ...

Government attempts to reduce carbon footprint and increase demand for dependable and secure power supply in commercial and industrial sectors around the world are projected to ...



[Get Price](#)



## GLOBAL definition and meaning , Collins English Dictionary

You can use global to describe something that happens in all parts of the world or affects all parts of the world. a global ban on nuclear testing. one of the most successful organizations ...

[Get Price](#)

## Global Tampa , Global Partners LP

Global's Tampa terminal is a truck rack- and barge-supplied facility conveniently located on Old Tampa Bay. This terminal offers a four-bay truck rack with bottom loading.



[Get Price](#)

## Microgrid Market Size, Share , Global Growth Report, 2034

Microgrid Market TrendsMicrogrid Market



Growth Factors  
Restraining Factors  
Microgrid Market Segmentation  
Analysis  
Regional Insights  
Key Industry Players  
Key Industry Developments  
Report Coverage  
The research report highlights regional and country-level analysis to understand the user better. Furthermore, the reports provide insights into the latest market trends and market analysis of technologies deployed rapidly globally. It further highlights some drivers and restraints, helping the reader gain in-depth knowledge about the industry. To See more on fortunebusinessinsights  
Base Year: 2024  
Historical Period: 2019-2023  
Forecast Period: 2025-2032  
Study Period: 2019-2032  
Roots Analysis

## Microgrid Market Report 2025-2035 , Trends, Forecasts & Players

Microgrids are decentralized energy networks capable of operating autonomously or in sync with the main utility grid. These intelligent systems deliver localized, reliable, and flexible power to campuses, ...

[Get Price](#)

---

### Microgrid Market Size, Growth, Share & Competitive Landscape 2031

The Microgrid Market worth USD 24.44 billion in 2026 is growing at a CAGR of 17.61% to reach USD 54.99 billion by 2031. ABB Ltd, Siemens AG, Schneider

Electric SE, General Electric ...

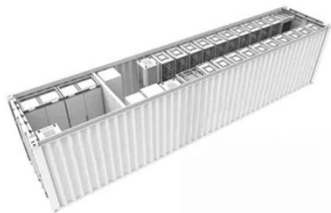
[Get Price](#)



 TAX FREE

1-3MWh

BESS



## Microgrid Market Size, Share, Trends and Growth

Solar PV is the leading power source segment in the microgrids market, offering cost efficiency and sustainability benefits. It is also expected to grow at the highest CAGR. Other key power sources ...

[Get Price](#)

## Microgrid Market Size, Share , Global Growth Report, 2034

The global microgrid market size was valued at USD 13.58 billion in 2025 and is projected to grow from USD 15.63 billion in 2026 to USD 57.58 billion by 2034, exhibiting a CAGR of 17.70% ...

[Get Price](#)



## Microgrid Market Size & Share, Growth Analysis 2035

The microgrid market was valued at USD 28.9 billion in 2025 and is expected to



grow at a CAGR of 18.3% between 2026 and 2035, driven by the growing renewable integration.

[Get Price](#)

---

## Microgrid Market Size, Trends & Growth Analysis 2034

Rising Power Demand in Developing Nations Spurs Growth of Microgrid Solutions. The increasing demand for power in developing nations, fueled by growth in both household & industrial sectors, is ...



[Get Price](#)



## GLOBAL Definition & Meaning , Dictionary

GLOBAL definition: pertaining to the whole world; worldwide; universal. See examples of global used in a sentence.

[Get Price](#)

---

## GLOBAL Definition & Meaning

The meaning of GLOBAL is of, relating to, or involving the entire world : worldwide. How to use global in a sentence.

[Get Price](#)

## Microgrid Market Size, Share, Growth , Industry Report, 2033

Global Microgrid Market Report Segmentation This report forecasts volume & revenue growth at global, regional, and country levels and provides an analysis of the latest industry trends in each of the sub ...

[Get Price](#)

## GLOBAL , English meaning

GLOBAL definition: 1. relating to the whole world: 2. considering or relating to all parts of a situation or subject.... Learn more.

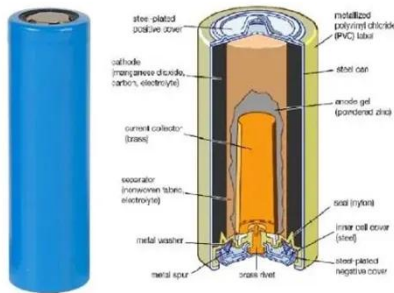
[Get Price](#)

## GLOBAL , definition in the Cambridge English Dictionary

GLOBAL meaning: 1. relating to the whole world: 2. considering or relating to

all parts of a situation or subject.... Learn more.

[Get Price](#)



## Microgrid Market Report 2025-2035 , Trends, Forecasts & Players

Microgrids are decentralized energy networks capable of operating autonomously or in sync with the main utility grid. These intelligent systems deliver localized, reliable, and flexible power to campuses, ...

[Get Price](#)



## Contact Us

For catalog requests, pricing, or partnerships, please visit:  
<https://www.pienaarshof.co.za>

