

PIENAAR ENERGY (PTY) LTD

Finland s new energy and energy storage



Overview

Renewable thermal storage is gaining prominence again in Finland with the development of a new system based on sand that promises to drastically reduce the use of fossil fuels. Finland holds an enviable position in terms of the production of cleaner energy, with a diverse mix of. The system converts renewable electricity into high-temperature sand storage to deliver industrial heat on demand. TheStorage The Finnish cleantech startup TheStorage officially commissioned its first industrial-scale thermal energy system at a local brewery in January 2026. Lahti Energia and Polar Night Energy announced the construction of an industrial unit that will operate within the Vääksy. review of the current status of energy storage in Finland and future development prospecting details, and we will remove access to the work immediately and investigate your cyclic Battery energy storage Thermal energy storage Pumped hydropower showing rapidly in Finland.

Finland s new energy and energy storage



Finland activates world's largest sand battery to store renewable heat

Finland has activated the world's largest sand battery in Pornainen, storing excess renewable energy as heat to power an entire town's heating needs. The system cuts heating ...

[Get Price](#)

Finland's wild sand battery boosts heat efficiency 10x, slashes

Finland is turning one of the planet's most ordinary materials into a high impact climate tool, using hot sand to store vast amounts of energy and release it as heat when homes and factories



[Get Price](#)



Spotlight on Finland: Energy storage sector set to double

Finland's energy storage market is expanding, thanks largely to increasing renewable energy sources, plus regulatory adaptation being made by Fingrid, the transmission operator in the ...

[Get Price](#)

Finland advances with the world's largest sand battery to reduce

Renewable thermal storage is gaining prominence again in Finland with the development of a new system based on sand that promises to drastically reduce the use of fossil fuels. Lahti ...



[Get Price](#)



- LIQUID/AIR COOLING
- PROTECTION IP54/IP55
- PCS EMS
- BATTERY /6000 CYCLES

Hitachi Energy to deliver power conversion solutions for Finland's

Hitachi Energy has signed an agreement with Nordic Electro Power (NEPower) to provide advanced power conversion technology for Finland's largest battery energy storage system ...

[Get Price](#)

A review of the current status of energy storage in Finland and future

This paper has provided a comprehensive review of the current status and developments of energy storage in Finland, and this information could prove useful in future modeling studies of the ...

[Get Price](#)

SUPPORT REAL-TIME ONLINE MONITORING OF SYSTEM STATUS



New 'sand-in-motion' battery



offers 10x more heat transfer efficiency

Finland's sand battery offers 10x more heat transfer efficiency, cuts energy bills by 70% The architecture of the new technology supports high vertical and horizontal scalability.

[Get Price](#)

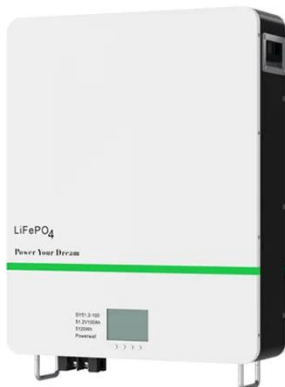
Finland's Groundbreaking Energy Storage Project Begins

...

Construction has officially started on Finland's latest large-scale energy storage project, marking a pivotal moment for renewable energy integration in the Nordics. This initiative aims to stabilize the ...



[Get Price](#)



Finland Launches Major Renewable Energy Storage Project with NTR ...

Finland embarks on a groundbreaking renewable energy storage project, collaborating with NTR and Fluence Energy. The Uusnivala BESS aims to enhance energy resilience and support ...

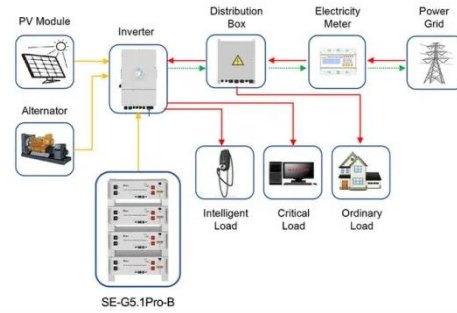
[Get Price](#)

A review of the current status

of energy storage in Finland ...

review of the current status of energy storage in Finland and future development prospe.

[Get Price](#)



Application scenarios of energy storage battery products

Contact Us

For catalog requests, pricing, or partnerships, please visit:
<https://www.pienaarshof.co.za>

