

PIENAAR ENERGY (PTY) LTD

Explore the principles of solar photovoltaic power generation



Explore the principles of solar photovoltaic power generation



Basic principles of solar energy

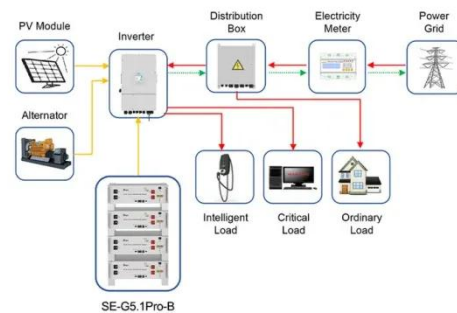
Analyze the relationships between voltage, current and power output of photovoltaic cells and how to maximize the efficiency of solar panels. The document will give greater emphasis to the ...

[Get Price](#)

What is the principle of solar photovoltaic power generation

Boldly stated, the principle of solar photovoltaic power generation embodies a transformative approach to energy. The intricacies of this technology involve a blend of physical ...

[Get Price](#)



Application scenarios of energy storage battery products



Chapter 1: Introduction to Solar Photovoltaics - Solar ...

Chapter 1: Introduction to Solar Photovoltaics 1.1 Overview of Photovoltaic Technology Photovoltaic technology, often abbreviated as PV, represents a revolutionary method of harnessing solar energy ...

[Get Price](#)

Principle and materials of solar power generation

Abstract: This chapter presents the important features of solar photovoltaic (PV) generation and an overview of electrical storage technologies. The basic unit of a solar PV generation system is a solar ...

[Get Price](#)



What Are the Basic Principles of Photovoltaic Technology? A

...

Discover the basics of photovoltaic technology and its role in renewable energy. Learn how solar cells convert sunlight into electricity, the science behind their operation, and the environmental benefits ...

[Get Price](#)

Basic Principles of Photovoltaic Power Generation

Basic Principles of Photovoltaic Power Generation Photovoltaic (PV) power generation is a technology that converts solar energy directly into electricity. It has gained widespread attention in ...

[Get Price](#)



Principles of Solar Energy Generation - Energy and environment



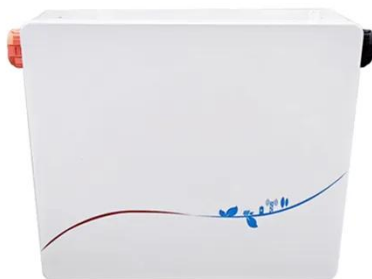
The energy from heat and light of solar radiation can be extracted to useful applications and the principle of operation is different depending on the technology. The PV technology convert visible spectrum to ...

[Get Price](#)

How Does Solar Work?

Learn the basics of solar energy technology including solar radiation, photovoltaics (PV), concentrating solar-thermal power (CSP), grid integration, and soft costs.

[Get Price](#)



How Does Solar Work?

Boldly stated, the principle of solar photovoltaic power generation embodies a transformative approach to energy. The intricacies of this ...

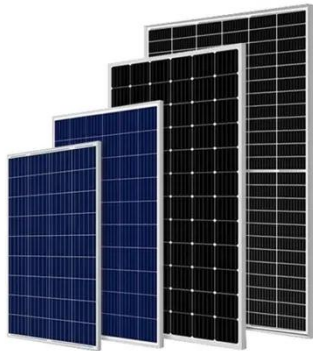
[Get Price](#)

Basic Principles of Solar Photovoltaic Power Generation

The principle of solar cell power generation is based on the photovoltaic effect that occurs when light is incident

on a semiconductor material. The basic characteristics of a photovoltaic cell are similar to ...

[Get Price](#)



Introduction to Photovoltaic Solar Energy

The use of renewable energy sources is crucial in electrical power production. There are many ways to create electrical energy using sustainable sources of energy such as solar, wind, and ...

[Get Price](#)

Contact Us

For catalog requests, pricing, or partnerships, please visit:
<https://www.pienaarshof.co.za>

