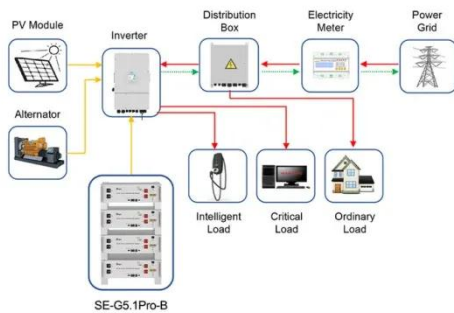


PIENAAR ENERGY (PTY) LTD

Energy storage power system mobile power vehicle



Energy storage power system mobile power vehicle



Application scenarios of energy storage battery products

Mobile Energy Storage System , Pulsar Industries

Flexible mobile energy storage systems for remote sites and EV charging. Get sustainable, silent, and portable power solutions with Pulsar Industries.

[Get Price](#)

Sunwoda launches 10meter mobile energy storage vehicle with the ...

Currently, the Sunwoda mobile energy storage vehicle has been prototyped and will be mass-produced and launched in Q3. According to reports, this product uses 314Ah lifepo4 battery. It is the first in the ...



[Get Price](#)



Bidirectional Charging and Electric Vehicles for Mobile Storage

Bidirectional electric vehicles (EV) employed as mobile battery storage can add resilience benefits and demand-response capabilities to a site's building infrastructure.

[Get Price](#)

Mobile Energy Storage Systems. Vehicle-for-Grid Options

ly chemi-cal energy-storage systems are used in electric vehicles. This limited technology portfolio is defined by the uses of mobile traction batteries and their constraints,



[Get Price](#)



How does a mobile energy storage vehicle work? , NenPower

A mobile energy storage vehicle operates by harnessing energy through battery systems for efficient power management, assists in grid stabilization, supports renewable energy integration, ...

[Get Price](#)

Mobile Energy Storage: Power on the Go

Mobile energy storage encompasses flexible systems designed to store and distribute energy efficiently across various applications, serving as a critical component of modern energy ...



[Get Price](#)

Clean power unplugged: the rise of mobile energy storage

Fortunately, an innovative, cleaner solution is gaining traction to replace dirty generators: mobile battery energy storage systems (mobile BESS). Mobile BESS products provide mobile, ...



[Get Price](#)

What is an Energy Storage Vehicle? A Comprehensive Guide to ...

An energy storage vehicle (ESV) is essentially a high-tech power bank the size of a truck. Imagine a Swiss Army knife for electricity - it stores, transports, and delivers energy wherever needed.



[Get Price](#)



Application of Mobile Energy Storage for Enhancing Power Grid

This paper provides a comprehensive and critical review of academic literature on mobile energy storage for power system resilience enhancement. As mobile energy storage is often coupled with ...

[Get Price](#)

Mobile Energy Storage System Brochure

All required batteries, power converter systems and all that you need is in one box, enabling you to reduce maintenance costs. Designed for plug and play, the full range of 10 feet and 20 feet high cube ...

[Get Price](#)



Contact Us

For catalog requests, pricing, or partnerships, please visit:
<https://www.pienaarshof.co.za>

