

PIENAAR ENERGY (PTY) LTD

Energy storage investment manila



Overview

Investor Actis has entered a strategic partnership with Manila Electric Company (Meralco) and its subsidiary, Solar Philippines New Energy Corporation, to invest in the Terra Solar Project in the Philippines, which is poised to be the world's largest integrated renewables and energy. Investor Actis has entered a strategic partnership with Manila Electric Company (Meralco) and its subsidiary, Solar Philippines New Energy Corporation, to invest in the Terra Solar Project in the Philippines, which is poised to be the world's largest integrated renewables and energy. ACEN aims to integrate renewable energy better and further enhance grid reliability through its pioneering battery storage projects in the Philippines and overseas markets. 5GWh BESS project in the Philippines, one of the largest in the world. The firm has agreed to partner with utility Manila Electric Company (Meralco) and its subsidiary, Solar Philippines New. The Philippines is emerging as a key market for battery energy storage systems (BESS) as a massive buildout of data centers puts unprecedented pressure on the national power grid. Lucy Lu, deputy general manager of the China-based manufacturer of solar inverters and energy storage solutions, visited last November. This growth is primarily driven by the increasing demand for reliable energy supply, the integration of renewable energy sources, and government initiatives aimed at enhancing energy efficiency and sustainability.

Energy storage investment manila



Actis invests in 'world's largest' Philippines solar, storage project

The firm has agreed to partner with utility Manila Electric Company (Meralco) and its subsidiary, Solar Philippines New Energy Corporation, to invest in the Terra Solar Project. The ...

[Get Price](#)

Philippine data center boom sparks surge in battery storage demand

Despite these corporate hurdles, the Philippines remains a vital market for regional storage suppliers. The combination of rising data center demand and the integration of renewable ...



[Get Price](#)



Actis invests in world's largest integrated renewables and energy

The project, which is strategically located on the Philippines' main island of Luzon, about 100km from Manila, will combine 3.5GWp of solar PV capacity with 4.5GWh of battery energy ...

[Get Price](#)

Philippines Smart Grid Market , 2019 - 2030 , Ken Research

This legislation promotes the use of renewable energy sources and provides incentives for investments in renewable energy projects, including tax exemptions and feed-in tariffs, thereby encouraging the ...

[Get Price](#)



Actis invests in massive Philippines 3.5GW PV & 4.5GWh BESS ...

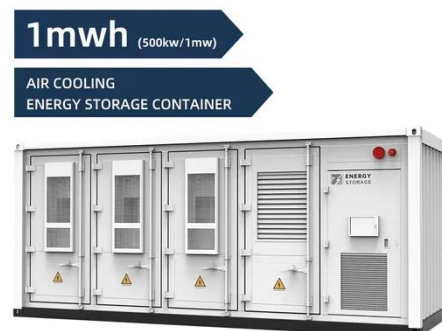
Investor Actis has entered a strategic partnership with Manila Electric Company (Meralco) and its subsidiary, Solar Philippines New Energy Corporation, to invest in the Terra Solar ...

[Get Price](#)

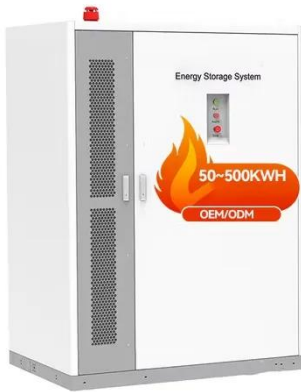
Actis invests \$600m in landmark Philippines solar storage project

Actis has struck a deal to invest \$600 million of equity in the 850MW Terra Solar project in the Philippines, with the investor backing what it proclaims to be "the world's largest integrated ...

[Get Price](#)



Actis invests in 3.5 GW/4.5



GWh of solar-plus-storage in Philippines

London-based investor Actis has agreed to invest in the Terra Solar Project in the Philippines. The planned installation has been touted as the world's largest solar-plus-storage array.

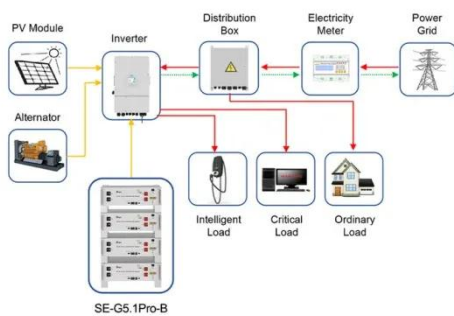
[Get Price](#)

Philippines Solar Advanced Battery Storage for Renewables

Explore the Philippines' new solar project featuring cutting-edge battery storage systems, aimed at boosting renewable energy capacity and sustainability.



[Get Price](#)



Application scenarios of energy storage battery products

SolisStorage launches large-scale energy storage system in PH

MANILA, Philippines -- SolisStorage has launched in the Philippines its EverCore, the latest commercial and industrial (C&I) energy storage system in its line up.

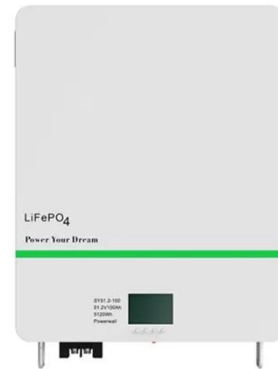
[Get Price](#)

Energy storage redefining clean power shift

MANILA, Philippines -- Energy storage is stepping into the spotlight of the

country's green transition, with more companies making bold investments to unlock its game-changing potential.

[Get Price](#)



Contact Us

For catalog requests, pricing, or partnerships, please visit:
<https://www.pienaarshof.co.za>

